

VacuBoy

Standard vacuum lifters for handling plate materials with dense, flat or structured surfaces and a weight of up to 2.000 kg.

Depending on the requirements the designs vary from strictly horizontal, swivelling or turning over of workpieces as well as special designs for individual solutions.



VacuBoy	41/42
VacuBoy90E	43/44
VacuBoy180E	45/46
VacuBoyMini	47/48
VacuBoyVario	49/50
VacuBoyAkku	51/52
Application Examples	53/54

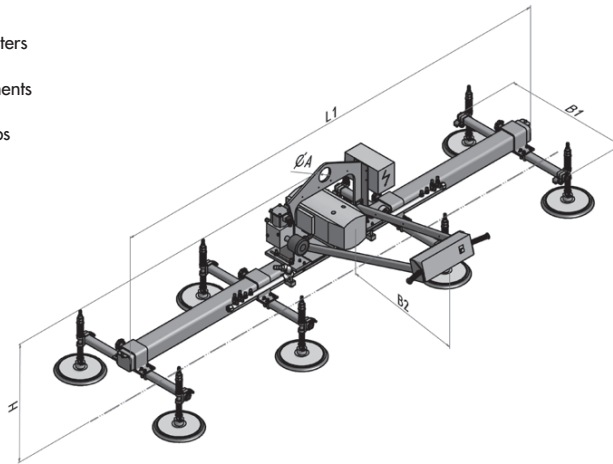
Vacuum Load Lifting Devices

VacuBoy VB

Horizontal Transport up to 2.000 kg

The VacuBoy VB is the ideal helper for the horizontal handling of dense plate materials. Its robust design, easy adaptability to different workpiece dimensions, and the ergonomic operation offers an almost limitless field of application:

- Feeding of CNC-laser and water jet machinery
- Loading of punching and bending machines
- Commissioning of plate materials
- Transport of drums and heavy canisters
- Handling of glass and window elements
- Transport of stone and concrete slabs



FEZER
Simply move more.

Capacity (kg)	Type	Workpiece dimensions		Pump	Number of suction pads	L1	B1	B2	H	A	Own weight (kg)
		max (mm)	min (mm)			(mm)	(mm)	(mm)	(mm)		
125	VB 80	4.000 x 2.000	600 x 400	T 4.8	4 ... 6	1.800	800	650	470	80	40 ... 50
250	VB 80	4.000 x 2.000	600 x 400	T 4.8	4 ... 8	1.800	800	650	470	80	45 ... 55
500	VB 80	4.000 x 2.000	600 x 400	T 4.8	4 ... 8	1.800	800	650	470	80	50 ... 70
750	VB 100	4.000 x 2.000	1.000 x 600	T 4.8	4 ... 8	2.400	800	650	470	80	60 ... 80
1.000	VB 100	4.000 x 2.000	1.000 x 600	T 4.8	4 ... 10	2.400	800	650	570	80	80 ... 100
1.250	VB 100	4.000 x 2.000	1.000 x 600	T 4.16	6 ... 12	2.400	800	650	570	80	120 ... 180
1.500	VB 100	4.000 x 2.000	1.000 x 600	T 4.16	6 ... 12	2.400	1.200	900	570	80	180 ... 220
1.750	VB 100	4.000 x 2.000	1.000 x 600	T 4.16	8 ... 14	2.400	1.200	900	570	80	200 ... 240
2.000	VB 100	4.000 x 2.000	1.000 x 600	T 4.16	8 ... 14	3.000	1.200	900	570	80	240 ... 300

VacuBoy VB in Action

- 1 VacuBoy while handling steel plates up to 2.000 kg
- 2 VacuBoy for commissioning steel sheets
- 3 VacuBoy mounted on a suspension crane system for plate handling
- 4 Feeding of a laser cutting machine

Vacuum Load Lifting Devices

VacuBoy VB-90E

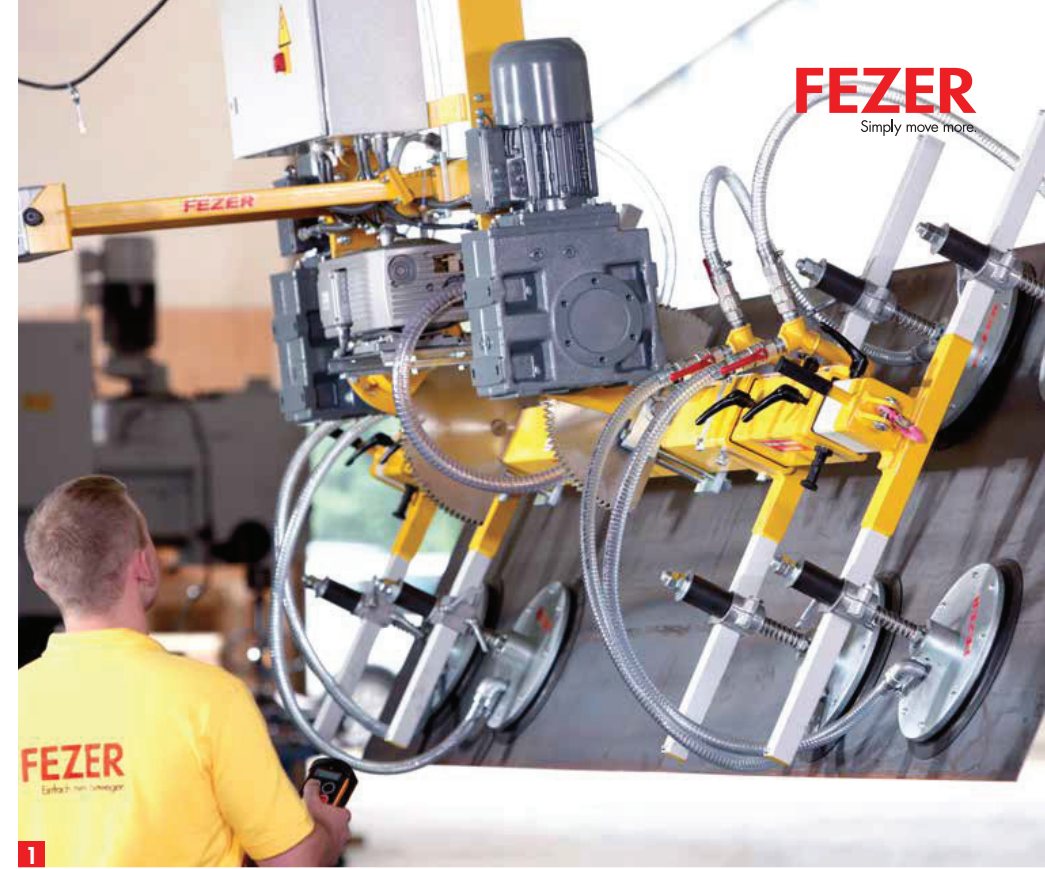
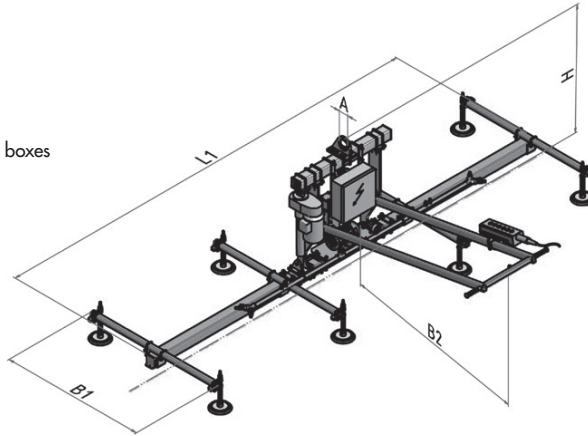
Swivelling up to 1.500 kg

The lifter series VacuBoy VB-90E can swivel loads by 90°. To achieve this either electrical cylinders or gear motors are being used. Engaged loads can be swivelled effortlessly by 90° and stopped and held at any point.

Control of this function is via push-buttons mounted on the manipulating handle, as an option they can be integrated in crane pendants with spiral cables or a remote control. Swivel times are approx. 15 - 20 seconds.

This series is the ideal partner for:

- Feeding of upright machine tools
- Handling of loads in upright storage
- Handling of glass and window elements
- Raising of lying workpieces
- Taking standing loads out of magazines or boxes



Capacity (kg)	Type	Workpiece dimensions		Pump	Number of suction pads	L1 (mm)	B1 (mm)	B2 (mm)	H (mm)	A (mm)	Own weight (kg)
		max (mm)	min (mm)								
125	VB 80-90	4.000 x 2.000	1.000 x 400	T 4.8	4 ... 8	1.800	800	650	1.050	80	60 ... 80
250	VB 80-90	4.000 x 2.000	1.000 x 400	T 4.8	4 ... 8	1.800	800	650	1.050	80	70 ... 90
500	VB 80-90	4.000 x 2.000	1.000 x 600	T 4.8	4 ... 12	2.400	800	650	1.050	80	80 ... 110
750	VB 100-90	4.000 x 2.000	1.000 x 600	T 4.8	8 ... 16	2.400	800	650	1.050	100	140 ... 160
1.000	VB 100-90	4.000 x 2.000	1.000 x 600	T 4.8	8 ... 16	2.400	800	650	1.050	100	150 ... 170
1.250	VB 100-90	4.000 x 2.000	1.000 x 600	T 4.16	10 ... 20	3.000	1.200	900	1.050	100	300 ... 350
1.500	VB 100-90	4.000 x 2.000	1.000 x 600	T 4.16	10 ... 20	3.000	1.200	900	1.050	100	320 ... 370

VacuBoy VB-90E in Action

- 1 Swivelling of large-size steel plates
- 2 Swivelling of side panels for campers
- 3 Handling of glass panes with a load of up to 500 kg
- 4 Taking out and swivelling 8.000mm long steel plates

Vacuum Load Lifting Devices

VacuBoy VB-180E

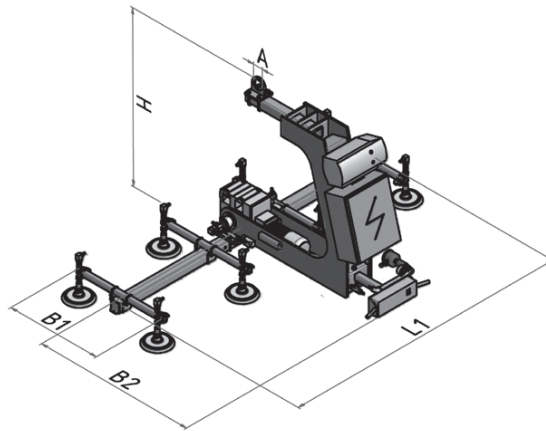
Turning over Loads up to 1.000 kg

The lifter series VacuBoy VB-180E can turn loads by 180°. To achieve this the devices are equipped with a central gear motor which allows to stop engaged loads at any point.

Control of this function is via push-buttons mounted on the manipulating handle; as an option they can be integrated in crane pendants with spiral cables or a remote control. Turning times approx. 30 - 45 seconds.

This series is mainly used for:

- Working both surfaces of workpieces
- Feeding of CNC machines
- Visual control of sensitive surfaces



Capacity (kg)	Type	Workpiece dimensions		Pump	Number of suction pads	L1 (mm)	B1 (mm)	B2 (mm)	H (mm)	A (mm)	Own weight (kg)
		max (mm)	min (mm)								
125	VB 80-180	2.000 x 1.000	600x400	T 4.8	4 ... 8	1.800	800	1.200	850	80	180 ... 220
250	VB 80-180	2.000 x 1.000	600x400	T 4.8	4 ... 8	1.800	800	1.200	850	80	180 ... 230
500	VB 80-180	4.000 x 2.000	1.000x600	T 4.8	4 ... 12	2.400	1.200	1.500	1.500	100	250 ... 300
750	VB 80-180	4.000 x 2.000	1.000x600	T 4.8	8 ... 16	2.400	1.200	1.500	1.500	100	300 ... 330
1.000	VB 100-180	4.000 x 2.000	1.000x600	T 4.8	8 ... 16	2.400	1.200	1.500	1.500	100	330 ... 360

VacuBoy VB-180E in Action

- 1 Turning over steel plates up to 500 kg
- 2 Both-sided surface control of steel plates up to 750 kg
- 3 Handling of side elements for campers
- 4 Turning over laminated chipboards

Vacuum Load Lifting Devices

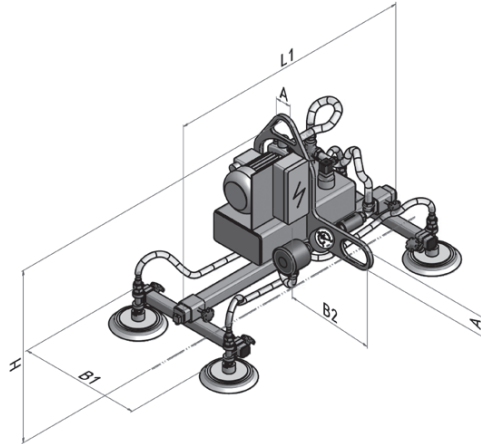
VacuBoyMini VBM

The Lightweight up to 500 kg

The compact design and low own weight make the VacuBoyMini the ideal partner for handling stable loads. Available are single suction pads or attachments with several pads which covers a large application spectrum.

Additionally the lifter can be equipped with a quick-change coupling which allows a fast exchange of pads and attachments.

- Feeding of CNC machines
- Handling of drums and crates
- Handling of glass and window elements



FEZER
Simply move more.

Capacity (kg)	Type	Workpiece dimensions		Pump	Number of suction pads	L1 (mm)	B1 (mm)	B2 (mm)	H (mm)	A (mm)	Own weight (kg)
		max (mm)	min (mm)								
125	VBM-1	2.500 x 1.250	400 x 400	T 4.8	1	250	250	270	450	60	20
125	VBM-2/4	2.500 x 1.250	1.000 x 400	T 4.8	2 ... 4	1.200	400	270	550	60	25 ... 30
250	VBM-1	2.500 x 1.250	400 x 400	T 4.8	1	250	250	270	450	60	22
250	VBM-2/4	2.500 x 1.250	1.000 x 400	T 4.8	2 ... 4	1.200	400	270	550	60	27 ... 32
500	VBM-1	2.500 x 1.250	400 x 400	T 4.8	1	250	250	270	450	60	30
500	VBM-2/4	2.500 x 1.250	1.000 x 400	T 4.16	2 ... 4	1.200	400	270	550	60	30 ... 35

VacuBoyMini VBM in Action

- 1 Handling of aluminum blocks up to 250 kg
- 2 With fourfold attachment for the transport of steel sheets
- 3 With single suction pad for aluminum plates up to 150 kg
- 4 With air pack and pneumatic warning unit for handling drums

Vacuum Load Lifting Devices

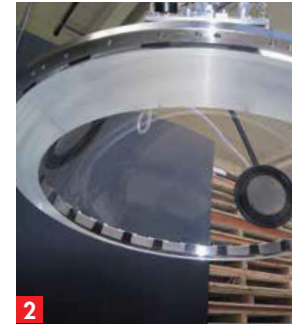
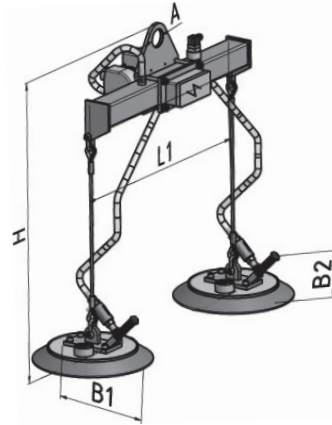
VacuBoyVario VBV

The Variable One up to 500 kg

The VacuBoyVario is a universally suitable lifter. Loads can both be lifted horizontally and vertically, or else lying loads can be uprighted. The suction pads, which can be individually switched on and off, only need to be placed correspondingly.

The rope suspension of the suction pads and the resulting narrow design make the VacuBoyVario a very variably suitable device.

- Horizontal and vertical handling
- Handling and installation of glass and window elements
- Handling of large-size sandwich elements
- On construction sites with 2-circuit-system



Capacity hor. / vert. (kg)	Type	Workpiece dimensions		Pump	Number of suction pads	L1 (mm)	B1 (mm)	B2 (mm)	H (mm)	A (mm)	Own weight (kg)
		max (mm)	min (mm)								
125/75	VB 100-2	2.500 x 1.250	400 x 800	T 4.8	2	800	125	150	800	60	40 ... 45
250/125	VB 100-2	3.000 x 2.000	600 x 1.200	T 4.8	2	800	220	150	800	60	50 ... 55
500/250	VB 100-2	3.000 x 2.000	600 x 1.200	T 4.8	2	800	290	150	800	60	60 ... 70

VacuBoyVario VBV in Action

- 1 Lifting steel sheets up to 200 kg
- 2 VacuBoyVario while handling the glass dome of a submarine
- 3 Handling terminal box elements for the electronic industry
- 4 Transporting steel containers up to 150 kg

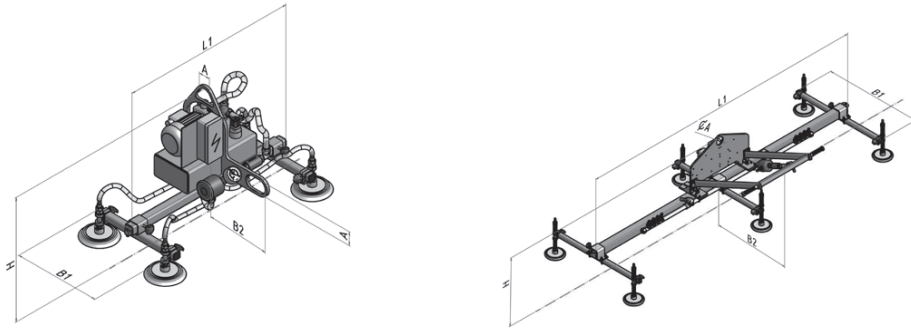
Vacuum Load Lifting Devices

VacuBoyAkku VB-Akku

Power-independent Operation

The VacuBoyAkku guarantees an absolutely self-sufficient operation around the clock. The power supply is via exchangeable batteries. A standstill of the lifters, to re-charge batteries, is no longer necessary. As a standard the lifters are equipped with a vacuum-controlled motor switch which saves the batteries and increases their operation time. Vacuum control is done by handslide valve with arrest.

- Vacuum supply by 24V pump
- Work capacity for approx. 150 suction operations
- Constant operational readiness by exchangeable batteries
- Option with electrical vacuum control or switching automatic



Capacity (kg)	Type	Workpiece dimensions		Pump	Number of suction pads	L1 (mm)	B1 (mm)	B2 (mm)	H (mm)	A (mm)	Own weight (kg)
		max (mm)	min (mm)								
125	VBM-1/2/4	2.500 x 1.250	400 x 400	T 4.2	1 ... 4	250	250	270	450	60	20 ... 30
125	VB 80	4.000 x 2.000	600 x 400	T 4.2	4 ... 6	1.800	800	650	470	80	40 ... 50
125	VBM-2/4	2.500 x 1.250	1.000 x 400	T 4.2	1 ... 4	1.200	400	270	550	60	25 ... 30
250	VB 80	4.000 x 2.000	600 x 400	T 4.2	4 ... 8	1.800	800	650	470	80	45 ... 55
500	VBM-1/2/4	2.500 x 1.250	1.000 x 400	T 4.2	1 ... 4	1.200	400	270	550	60	30 ... 35
500	VB 80	4.000 x 2.000	600 x 400	T 4.2	4 ... 8	1.800	800	650	470	80	50 ... 70

VacuBoy VB-Akku in Action

- 1 Feeding a laser cutting machine with steel sheets
- 2 Handling ceramic elements on a water jet machine
- 3 Transport of aluminium blocks up to 250 kg
- 4 Commissioning of steel sheets with four-pad attachment

VacuBoy Load Lifting Devices

Application Examples



VacuBoy for feeding a laser cutting machine



Special design for lateral engagement of camper roofs with pneumatical adjustment and mechanical undergrippers



VacuBoy for commissioning steel plates up to 2.000 kg



1



2



3



4

FEZER
Simply move more.

VacuBoy in Action

- 1 VacuBoyMini mounted on a pallet truck with 4-pad attachment for simultaneous transport of 4 drums
- 2 Swivelling VacuBoy for handling foil-wrapped sandwich elements
- 3 VacuBoyMini for power-independent operation via batteries for transporting small aluminum blocks
- 4 Strictly vertical lifter for handling camper fronts