



## VacuCoil

This lifter series is specially designed for the handling of coils, split strips and paper rolls with weights of several tons. The VacuCoil guarantees an absolutely gentle, safe and above all very rational transport, even on slightly porous workpieces.



VacuCoil.....	67/68
VacuCoil 90 .....	69/70
Details .....	71/72

## Vacuum Load Lifting Devices

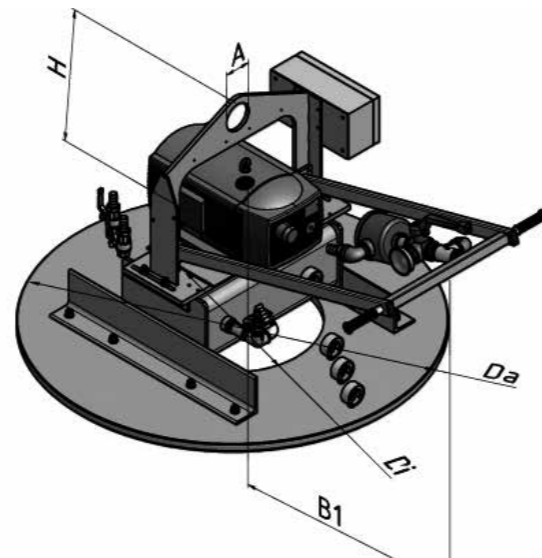
VacuCoil VC

### Horizontal Transport up to 10.000 kg

These lifters work with a steel, aluminum or plastic base plate, equipped with suction chambers that are exactly adjusted to your products. The lifters can be additionally equipped with individual chamber supervision, automatic switch-on of required suction chambers, or undergrippers if the loads have to be transported across large production halls.

FEZER can offer you also system solutions to flange coil suction plates straight onto robots or linear axes. A data exchange of important signals guarantees highest operational and process safety.

- Commissioning of coils and split strips
- Repositioning, putting into and taking out of storage
- Operation in automatic stores in paper industries
- System solutions for robot operation and linear axes



Capacity (kg)	Type	Diameters		Number of chambers	Pump (m³/h)	B1 (mm)	H (mm)	A (mm)	Own weight (kg)
		inside Di min (mm)	outside Da max (mm)						
250	VC-	100 ... 250	400 ... 1.500	1 ... 4	16 ... 60	900	700 ... 1.000	100	200 ... 400
500	VC-	100 ... 250	400 ... 1.500	1 ... 4	16 ... 60	900	700 ... 1.000	100	200 ... 400
750	VC-	100 ... 250	400 ... 1.500	1 ... 4	16 ... 60	900	700 ... 1.000	100	300 ... 500
1.000	VC-	100 ... 250	400 ... 1.500	1 ... 4	16 ... 60	900	700 ... 1.000	100	300 ... 500
2.000	VC-	150 ... 400	650 ... 3.000	2 ... 8	40 ... 100	1.500	1.000 ... 2.500	160	1.000 ... 1.500
3.000	VC-	150 ... 400	650 ... 3.000	2 ... 8	40 ... 100	1.500	1.000 ... 2.500	160	1.000 ... 1.500
4.000	VC-	150 ... 400	650 ... 3.000	2 ... 8	40 ... 160	1.500	1.000 ... 2.500	160	1.000 ... 2.000
5.000	VC-	150 ... 400	650 ... 3.000	3 ... 10	40 ... 160	1.500	1.000 ... 2.500	160	1.000 ... 2.000
7.500	VC-	150 ... 400	650 ... 3.000	3 ... 10	40 ... 160	1.500	1.500 ... 3.000	160	2.000 ... 3.500
10.000	VC-	150 ... 400	650 ... 3.000	3 ... 10	40 ... 160	1.500	1.500 ... 3.000	160	2.000 ... 3.500

### VacuCoil VC in Action

- 1 Paper lifter for paper rolls with a weight of up to 5.000 kg
- 2 VacuCoil for brass split strips with mechanical undergripper
- 3 Handling aluminum split strips used in automatic process
- 4 Horizontal handling of aluminum split strips with a weight of 1.200 kg

## Vacuum Load Lifting Devices

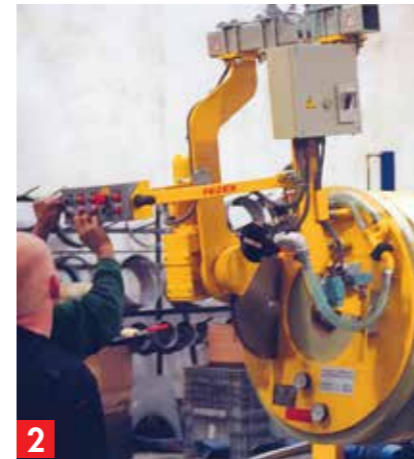
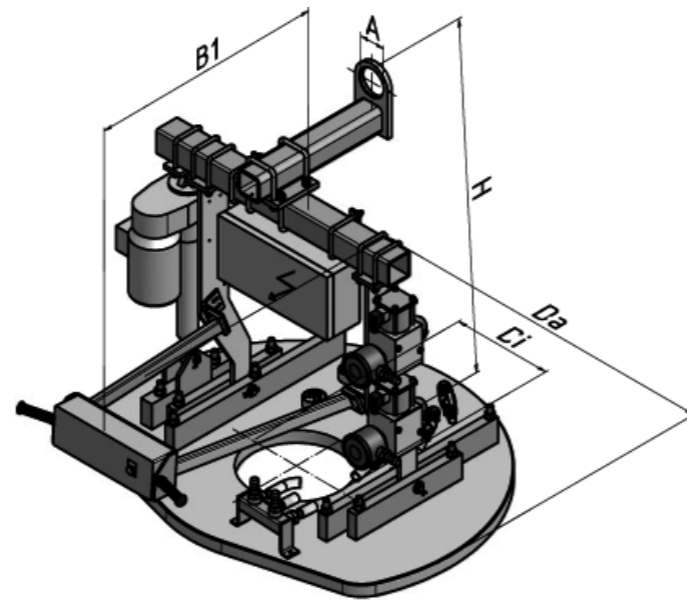
VacuCoil VC-90

### Swivelling up to 5.000 kg

Formerly chains or ropes were being used to hoist up split strips; now you can leave this job to the VacuCoil VC-90. Just place it on, engage the load and swivel it.

Swivelling is done by electrical or hydraulic linear units that can work around the clock. They are controlled by push-buttons on the manipulating handle.

- Commissioning of coils and split strips
- Repositioning, putting into and taking out of storage
- Feeding of CNC machines



**FEZER**  
Simply move more.

Capacity (kg)	Type	Diameters		Number of chamb.	Pump (m³/h)	Swivel drive	B1 (mm)	H (mm)	A (mm)	Own weight (kg)
		inside Di min (mm)	outside Da max (mm)							
250	VC-	100 ... 250	400 ... 1.500	1 ... 6	16 ... 40	electr.	900	700 ... 1.000	100	200 ... 400
500	VC-	100 ... 250	400 ... 1.500	1 ... 6	16 ... 40	electr.	900	700 ... 1.000	100	200 ... 400
750	VC-	100 ... 250	400 ... 1.500	1 ... 6	25 ... 60	electr.	900	700 ... 1.000	100	300 ... 500
1.000	VC-	100 ... 250	400 ... 1.500	1 ... 6	25 ... 60	electr.	900	700 ... 1.000	100	300 ... 500
2.000	VC-	150 ... 400	650 ... 3.000	2 ... 8	40 ... 100	hydraulic	1.500	1.000 ... 2.500	160	1.000 ... 1.500
3.000	VC-	150 ... 400	650 ... 3.000	2 ... 8	40 ... 100	hydraulic	1.500	1.000 ... 2.500	160	1.000 ... 1.500
4.000	VC-	150 ... 400	650 ... 3.000	2 ... 8	60 ... 160	hydraulic	1.500	1.000 ... 2.500	160	1.000 ... 2.000
5.000	VC-	150 ... 400	650 ... 3.000	2 ... 8	60 ... 160	hydraulic	1.500	1.000 ... 2.500	160	1.000 ... 2.000

### VacuCoil VC-90E in Action

- 1 Swivelling of plastic split strips
- 2 VacuCoil for loading a mandril with split strips
- 3 VacuCoil with transparent coil suction plate for split strips
- 4 Swivelling system coil plate to swivel aluminum split strips

### Details

There is a multitude of additional equipment for the VacuCoil series that improve the operation.

#### Designs for Lifting Devices

- Flattened suction plate design for upright engagement of split strips with varying outer diameters
- Suction plate with vision panel or in plexiglass design to allow exact positioning on varying coil inside diameters
- Design with rigid or telescoping mandrils for engagement of coils with varying core diameters
- Lifters with additional undergrippers

#### Designs for System Technology

- Required suction chambers are automatically switched on and off via electrical impulse valves
- Analog suction plates supervision with analysis function
- Mandrils with light sensors for finding the center automatically



Flattened suction plate for engagement of upright coils with varying diameters



Look through: Suction plate with vision panel



Look through: Suction plate in plexiglass design



Suction plate with additional mandril for quick and easy centering



Suction plate with telescopic mandril for varying core diameters



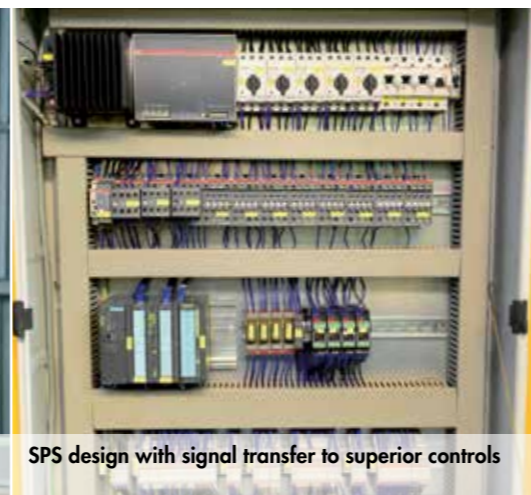
Single suction chamber control via impulse valve



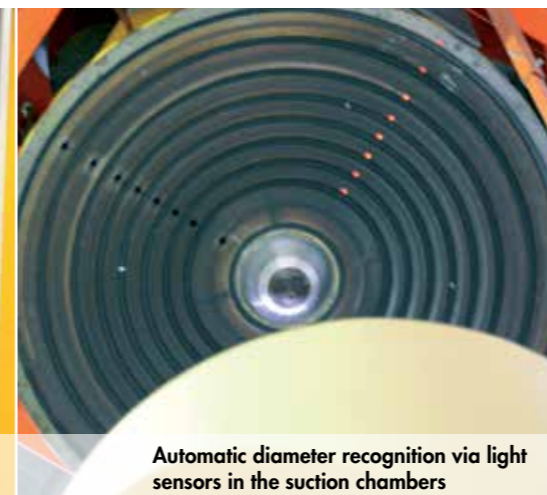
Mechanical undergrippers for long transport ways over work areas



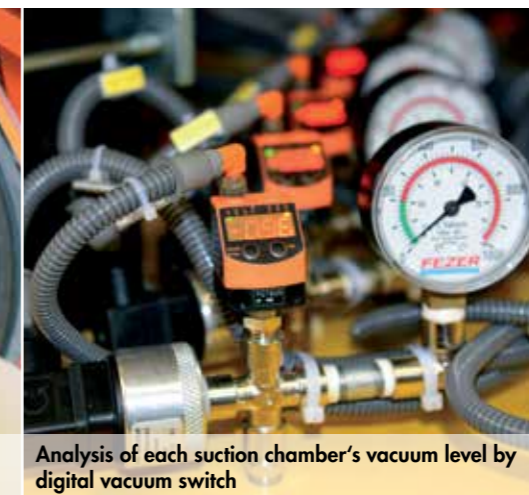
Automatic recognition of paper-unwrapping during the transport



SPS design with signal transfer to superior controls



Automatic diameter recognition via light sensors in the suction chambers



Analysis of each suction chamber's vacuum level by digital vacuum switch



Light sensors for automatic center recognition