



VacuWood / VacuPoro

Rough planks, heavy boards, meter-long gluelam beams or porous plates of all kinds - the lifter series VacuWood and VacuPoro have everything under control



VacuWood	75/76
VacuPoro	77/78

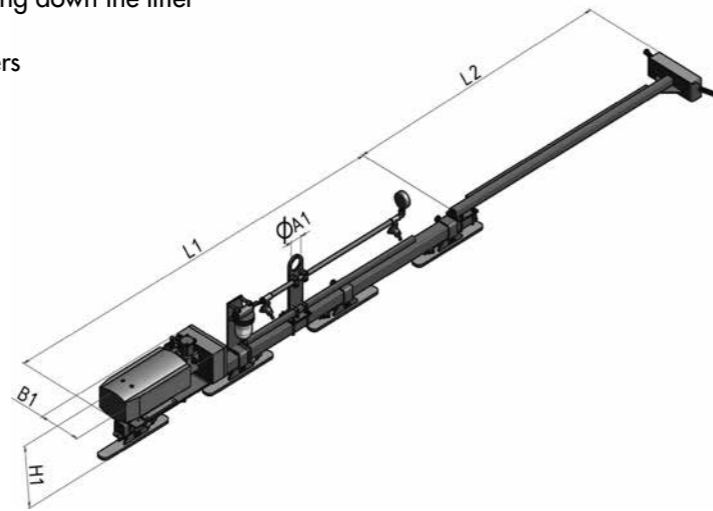
Vacuum Load Lifting Devices

VacuWood VV

Horizontal Transport of Floorboards, Planks and Gluelam Beams

With the lifter series VacuWood rough boards and planks can be handled safely and gently. Even gluelam beams with lengths of over 24 m can be engaged and transported. Special suction plate suspensions are available to adjust to the bending of the gluelam beams. For „extreme“ boards with knotholes or cracks special suction plates are available that close automatically and keep up the vacuum. As a standard the lifters are equipped with handslide valve, adequately large safety tank and an acoustic warning unit.

- For rough and smooth surfaces
- Automatic switch-off of suction pads on cracks and knowholes
- Special suction plate suspension for the transport of long gluelam beams
- Suspension eyes with pre-load to stabilize when putting down the lifter
- Special solutions and individual adjustment of the lifters



Capacity (kg)	Type	Workpiece dimensions		Pump	Number of suction pads	L1 (mm)	L2 (mm)	B1 (mm)	H1 (mm)	A1 (mm)	Own weight (kg)
		max (mm)	min (mm)								
125	VWB-80/2	6.000 x 800	1.500 x 120	T 4.25	2	3.000	1.800	300	530	80	125 ... 135
250	VWB-80/2	6.000 x 800	1.500 x 190	T 4.25	2	3.000	1.800	300	530	80	130 ... 140
500	VWB-80/2	6.000 x 1.000	1.500 x 270	T 4.25	2	3.000	1.800	300	530	80	135 ... 145
750	VWB-100/4	6.000 x 1.000	2.500 x 270	T 4.40	4	3.000	1.800	300	530	80	165 ... 175
1.000	VWB-100/4	6.000 x 1.000	2.500 x 270	T 4.40	4	3.000	1.800	300	530	80	165 ... 175

VacuWood VWB/VWBL in Action

- 1 Gluelam beam lifter VacuWood VWB for handling sawed boards up to 500 kg
- 2 VacuWood VWB with electrical width-adjustment to pick up 2 boards at the same time
- 3 Gluelam beam lifter VWLB to handle 20 m long gluelam beams
- 4 VacuWood VWB used at a horizontal saw

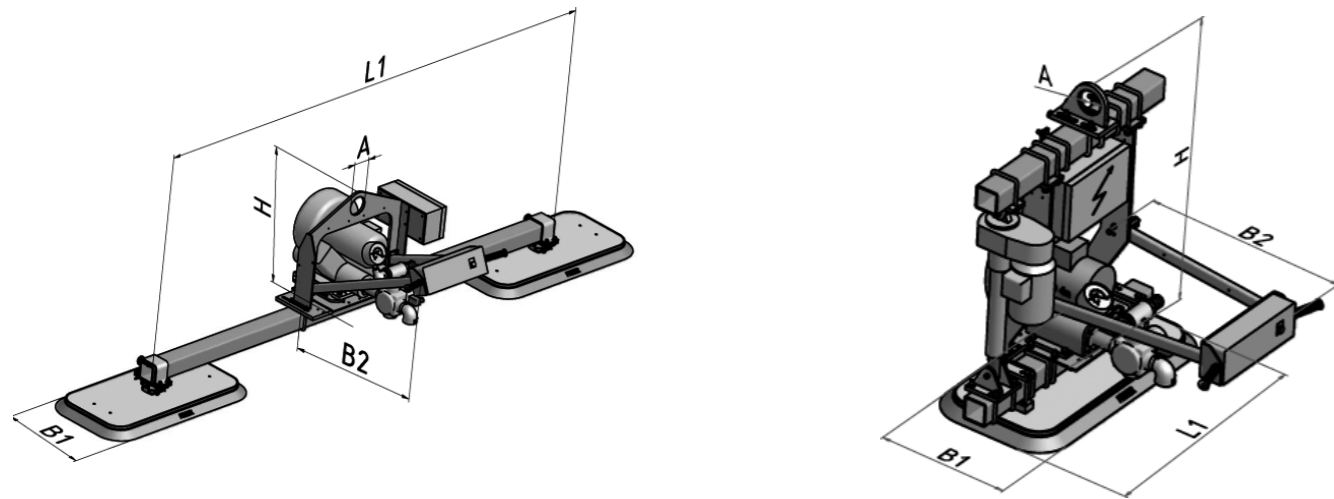
Vacuum Load Lifting Devices

VacuPoro VP, VP-90

Horizontal and swivelling Design

The lifter series VacuPoro is specially designed for handling porous materials like raw chipboards, MDF- or OSB-boards. A powerful blower with flywheel safely engages these materials and even keeps them suspended for an adequate time period after a power failure. Loads can also be swivelled by 90° to put them into upright saws or storage. As a standard the lifters are equipped with electrical vacuum control and acoustic warning unit

- Handling when stored upright
- Loading of upright machinery
- Highest operational safety by special blowers with flywheel



FEZER
Simply move more.

Capacity (kg)	Type	Workpiece dimensions		Pump	Number of suction pads	L1 (mm)	B1 (mm)	B2 (mm)	H (mm)	A (mm)	Own weight (kg)
		max (mm)	min (mm)								
250	VP-80/1	4.100 x 2.100	900 x 500	SD 400	1	850	450	1.050	650	80	105 ... 115
250/125	VP-80-90E/1	4.100 x 2.100	900 x 500	SD 400	1	850	450	1.050	1.100	80	140 ... 150
500	VP-80/2	5.600 x 2.600	2.000 x 500	SD 400	2	2.400	450	1.050	650	80	155 ... 165
500/250	VP-80-90E/2	5.600 x 2.600	2.000 x 500	SD 400	2	2.400	450	1.050	1.100	80	190 ... 210

VacuPoro VP in Action

- 1 VacuPoro while loading a CNC machine
- 2 VacuPoro VP-80-90E/1 with swivelling for raw chipboards
- 3 Special flat design for handling wall elements up to 1.200 kg
- 4 VacuPoro VP-80-90E/2 with swivelling for handling chipboards up to 250 kg