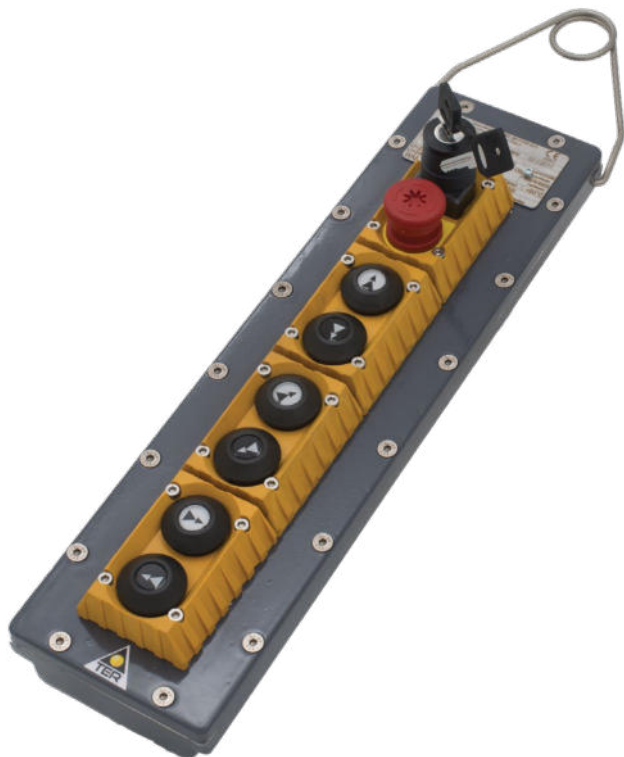


# MIKE-X

## HAZARDOUS AREAS

### Pendant control station



Explosion proof pendant control station for auxiliary control. Rugged, sturdy and easy to handle, Mike-X is designed for heavy industry in potentially explosive areas.

### FEATURES

- Pendant control station for use in industrial areas and hazardous locations for ATEX and IECEx zones 1, 2, 21, 22.
- Reduced installation and wiring time and costs: the optimized internal space enables easy and quick wiring.
- IP protection degree: Mike-X is classified IP65.
- Extreme temperature resistance: -20°C to +60°C.
- It features solid but light weight body made of powder epoxy painted aluminum or stainless steel AISI 316 (optional), resistant to temperature changes.
- All materials and components used are shock and wear resistant and guarantee protection of the unit against water, dust and oils.

### OPTIONS


- Available in configurations from 4 to 16 actuators.
- 1 or 2 speed switches with NO or NC contacts.
- Mechanical interlock to prevent simultaneous operation of opposite functions.
- Connecting bridges to reduce wiring time.
- It can be equipped with thermal protectors and resistances as anti-condensation heaters (max. power 24W).

### CERTIFICATIONS

- CE marking.
- Conformity to ATEX Standards EN 60079-0:2012, EN 60079-1:2014, EN 60079-31:2014.
- Conformity to IECEx Standards IEC 60079-0:2012, IEC 60079-1:2014, IEC 60079-31:2013.

*Fill in the "request form" to configure properly the product.*



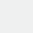
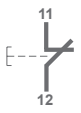
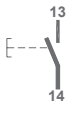

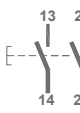
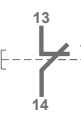
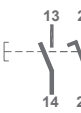
## CERTIFICATIONS

Conformity to Atex Standards	EN 60079-0:2012 Explosive atmospheres – Equipment – General requirements
	EN 60079-1:2014 Explosive atmospheres – Equipment protection by flameproof enclosures “d”
	EN 60079-31:2014 Explosive atmospheres – Equipment dust ignition protection by enclosures “t”
Conformity to IECEx Standards	IEC 60079-0:2012 Explosive atmospheres – Equipment – General requirements
	IEC 60079-1:2014 Explosive atmospheres – Equipment protection by flameproof enclosures “d”
	IEC 60079-31:2013 Explosive atmospheres – Equipment dust ignition protection by enclosures “t”
Atex Certification	ITS16ATEX101535X
IECEX Certification	ITS 16.0070X
Atex Protection Type	II 2 G Ex db IIC T6 Gb
	II 2 D Ex tb IIIC T85°C Db
	Tamb: -20°C to +60°C
IECEX Protection Type	Ex db IIC T6 Gb
	Ex tb IIIC T85°C Db
	Tamb: -20°C to +60°C
Markings and homologations	CE  IEC IECEx

## GENERAL TECHNICAL SPECIFICATIONS

Operational ambient temperature	-20°C/+60°C
IP protection degree	IP 65
Cable entry*	M25 x 1.5
	M32 x 1.5

## TECHNICAL SPECIFICATIONS OF THE SWITCHES

Rated operational current	Max 250 Vdc / 1.1 A					
	Max 240 Vac / 3 A					
Rated frequency	50/60 Hz					
Wires	Min 0.75 mm <sup>2</sup> - Max 2 mm <sup>2</sup> (ATEX and IEC Ex)					
Anti-moisture heater (optional)	Maximum power 24W					
Tipo interruttore	1 speed	1 speed	1 speed	1 speed	1 speed	2 speeds
Contacts	1NC (positive opening operation NC contacts  )	1NO	2NC (positive opening operation NC contacts  )	2NO	1NO+1NC (positive opening operation NC contacts  )	2NO
Scheme						
Markings and homologations	CE					

## OPTIONALS

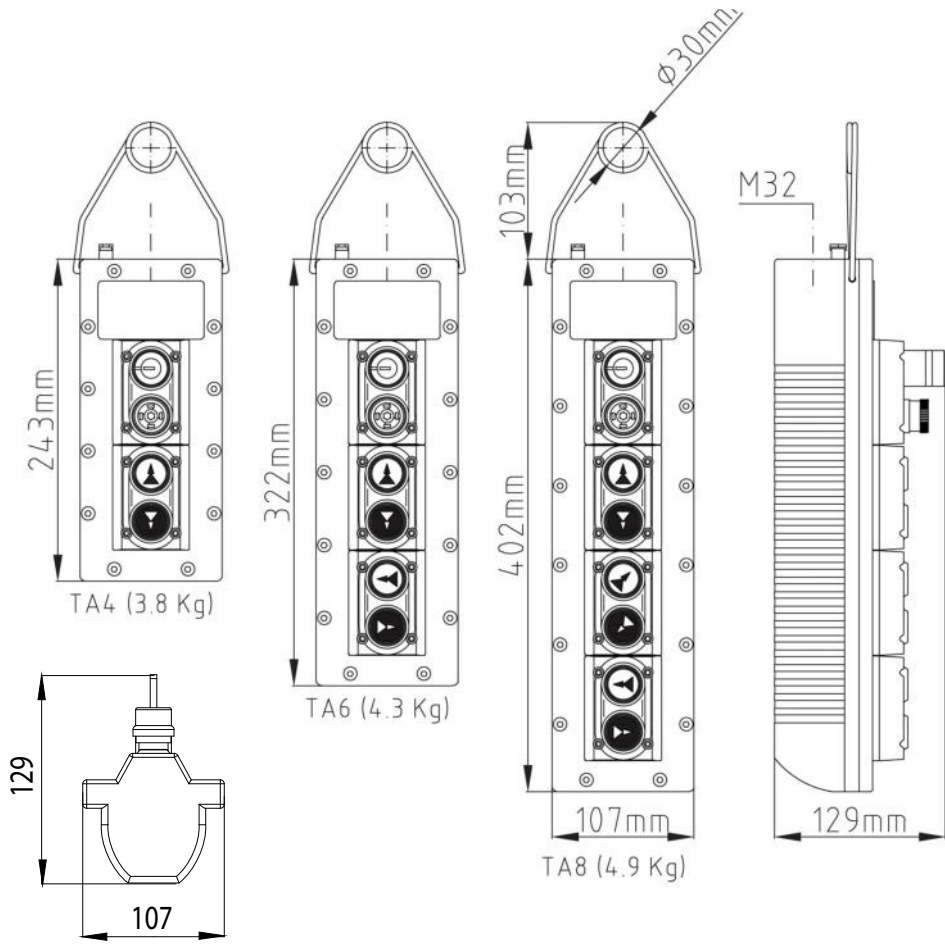
Anti-condensation heater
Stainless steel AISI 316 version

\* Threading must guarantee minimum 5 complete threads.

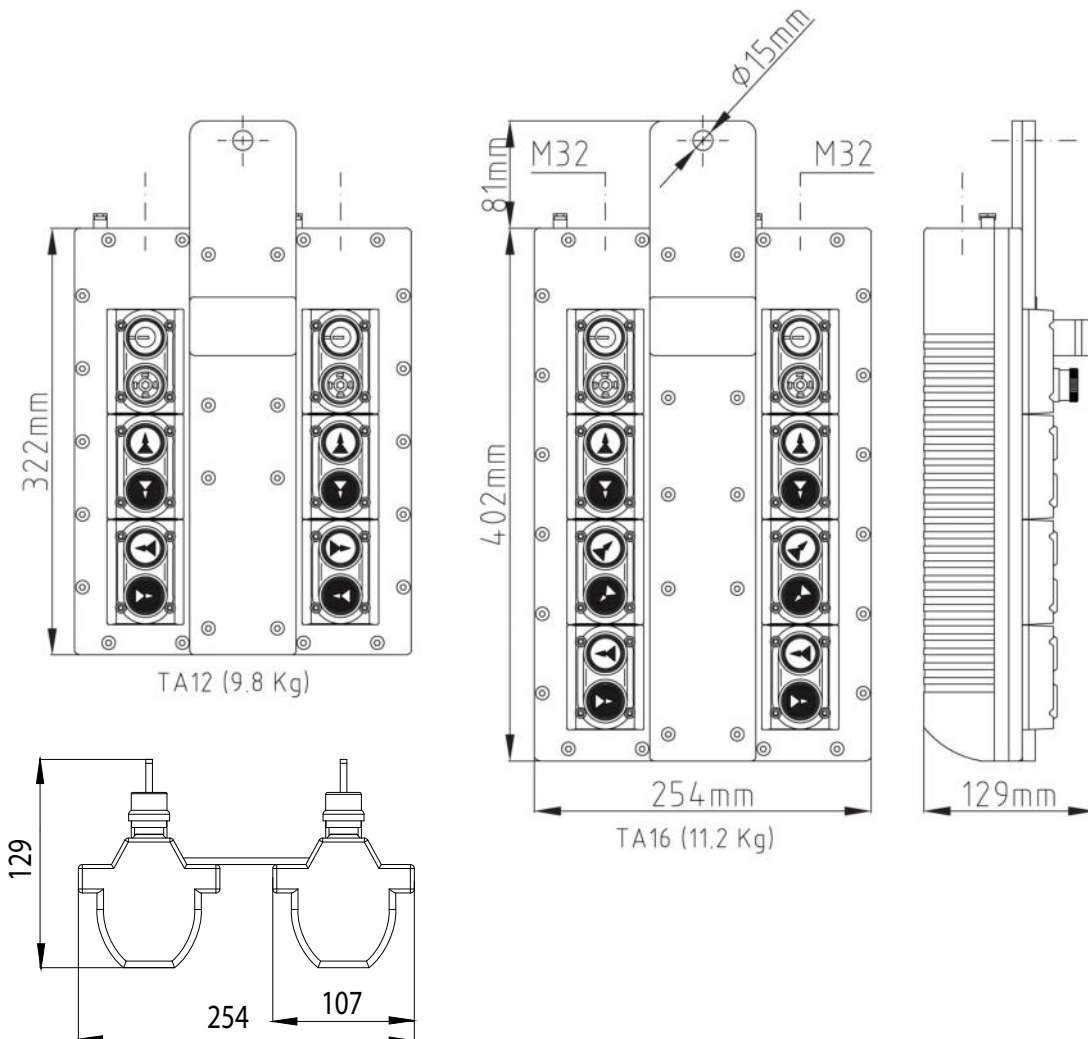
All the devices for cable entry (conduits, cable clamps, adapters) must be certified with minimum certification level as per valid certification of the pendant station.

### OVERALL DIMENSIONS (mm)

#### Simple



#### Double



# MIKE-X - REQUEST FORM FOR CONTROL STATION

## Instructions

Fill in the chart according to the following instructions:

- 1 Protection:** tick the box to accept the type of protection provided.
  - 2 Control station:** tick the box corresponding to the type of control station required (simple or double).
  - 3 Control elements:** enter in the broken-line box the number corresponding to the control element required (from 1 to 25) according to the legend.
- If you choose **buttons with arrows**, mark the direction of the arrow into the corresponding box. Eg.
- ATTENTION: opposite functions (eg. up /down) must be vertically coupled in columns and they are provided with mechanical interlock.
- 4 Switches:** enter the number corresponding to the switch required (from 30 to 35) according to the legend.
  - 5 Cable entry:** tick the box corresponding to type of cable entry required.
  - 6 Optionals:** tick the box corresponding to the eventual optionals required.

### Protection 1

Tick the box to accept the type of protection provided.

ATEX II 2 G Ex db IIC T6 Gb  
 II 2 D Ex tb IIIC T85°C Db  
 IECEX Ex db IIC T6 Gb  
 Ex tb IIIC T85°C Db

### Control station 2

- 4 - 8 actuators: simple control station
- 12 - 16 actuators: double control station

### Control elements 3

- 1 Emergency stop mushroom pushbutton
- 2 Selector switch - 2 maintained positions 0/1
- 3 Key selector switch - 3 positions 1/0/2 (1/0 maintained - 0/2 spring return)

<input type="checkbox"/> 4	<input type="checkbox"/> 8	<input type="checkbox"/> 12	<input type="checkbox"/> 16	<input type="checkbox"/> 20	<input type="checkbox"/> 24
<input type="checkbox"/> 5	<input type="checkbox"/> 9	<input type="checkbox"/> 13	<input type="checkbox"/> 17	<input type="checkbox"/> 21	<input type="checkbox"/> 25
<input type="checkbox"/> 6	<input type="checkbox"/> 10	<input type="checkbox"/> 14	<input type="checkbox"/> 18	<input type="checkbox"/> 22	<input type="checkbox"/> 26
<input type="checkbox"/> 7	<input type="checkbox"/> 11	<input type="checkbox"/> 15	<input type="checkbox"/> 19	<input type="checkbox"/> 23	<input type="checkbox"/> 27

### Switches 4

- |   |   |
|---|---|
| <input type="checkbox"/> 30 1NC - 1 speed | <input type="checkbox"/> 33 2NO - 1 speed     |
| <input type="checkbox"/> 31 1NO - 1 speed | <input type="checkbox"/> 34 1NO+1NC - 1 speed |
| <input type="checkbox"/> 32 2NC - 1 speed | <input type="checkbox"/> 35 2NO - 2 speeds    |

### Cable entry 5

- M25 x 1,5  M32 x 1,5

### Optionals 6

- Anti-condensation heater
- Stainless steel AISI 316 version

