

JULIET-PK

Joystick station



Handy and compact joystick station. Juliet PK is a user-friendly, ergonomic product, whose size and shape are the result of careful analysis of the aspects linked to daily use in modern industrial environments.

FEATURES

- Designed for Juliet joysticks.
- Designed to facilitate maintenance, reducing down time and costs.
- Aluminium protection against accidental operation in case of impact.
- The emergency stop mushroom pushbutton complies with standard EN 418 and is positioned in the middle for intuitive operation in case of danger.
- Mechanical life of switches: 1 million operations.
- IP protection degree: Juliet PK is classified IP65.
- Extreme temperature resistance: -25°C to +70°C.
- All materials and components used are wear resistant and guarantee protection of the unit against water and dust.

OPTIONS

- Wide range of actuators: pushbuttons, selector switches and key-selector switches, pilot lights.
- Switches with 1NC or 1NO contacts.
- The variable length strap, for waist or shoulder wear, features a quick fastening system.
- Available with customized labels and enclosures with different size holes.

CERTIFICATIONS

- CE marking and EAC certification.

Fill in the "request form" for accurate product configuration.



CERTIFICATIONS

| | |
|------------------------------------|--|
| Conformity to Community Directives | 2014/35/UE Low Voltage Directive |
| | 2006/42/CE Machinery Directive |
| Conformity to CE Standards | EN 60204-1 Safety of machinery - Electrical equipment of machines |
| | EN 60947-1 Low-voltage switchgear and controlgear |
| | EN 60947-5-1 Low-voltage switchgear and controlgear - Control circuit devices and switching elements - Electromechanical control circuit devices |
| | EN 60529 Degrees of protection provided by enclosures |
| Markings and homologations | CE ENEC |

GENERAL TECHNICAL SPECIFICATIONS

| | |
|----------------------|---------------------------|
| Ambient temperature | Storage -40°C/+70°C |
| | Operational -25°C/+70°C |
| IP protection degree | IP 65 |
| Insulation category | Class II |
| Cable entry | Cable sleeve (Ø 14÷26 mm) |
| Operating positions | Any position |
| Weight | ~1.5 kg |

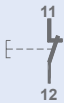
TECHNICAL SPECIFICATIONS OF THE SWITCHES

| Code | PRSL1000PI | PRSL1001PI |
|----------------------------|--|---|
| Utilisation category | AC 15 | |
| Rated operational current | 3 A | |
| Rated operational voltage | 250 Vac | |
| Rated thermal current | 10 A | |
| Rated insulation voltage | 500 Vac | |
| Mechanical life | 1x10 ⁶ operations | |
| Connections | Screw-type terminals | |
| Wires | 1x2.5 mm ² , 2x1.5 mm ² (UL - (c)UL: use 60°C or 75°C copper (CU) conductor and wire 16-18 AWG) | |
| Tightening torque | 0.6 Nm | |
| Microswitch type | Double break, slow action | Double break, slow action |
| Contacts | 1NO | 1NC |
| Scheme |  |  |
| Markings and homologations | CE cULus ENEC | |

TECHNICAL SPECIFICATIONS OF THE LAMP HOLDERS

| | |
|----------------------------|---|
| Code | PRSL1004PI |
| Maximum voltage | 125 V |
| Maximum power | 2,6 W |
| Lamp type (not supplied) | T5.5K 22 mm |
| Connections | Screw-type terminals |
| Wires | 1x2.5 mm ² , 2x1.5 mm ² |
| Tightening torque | 0.6 Nm |
| Markings and homologations | CE |

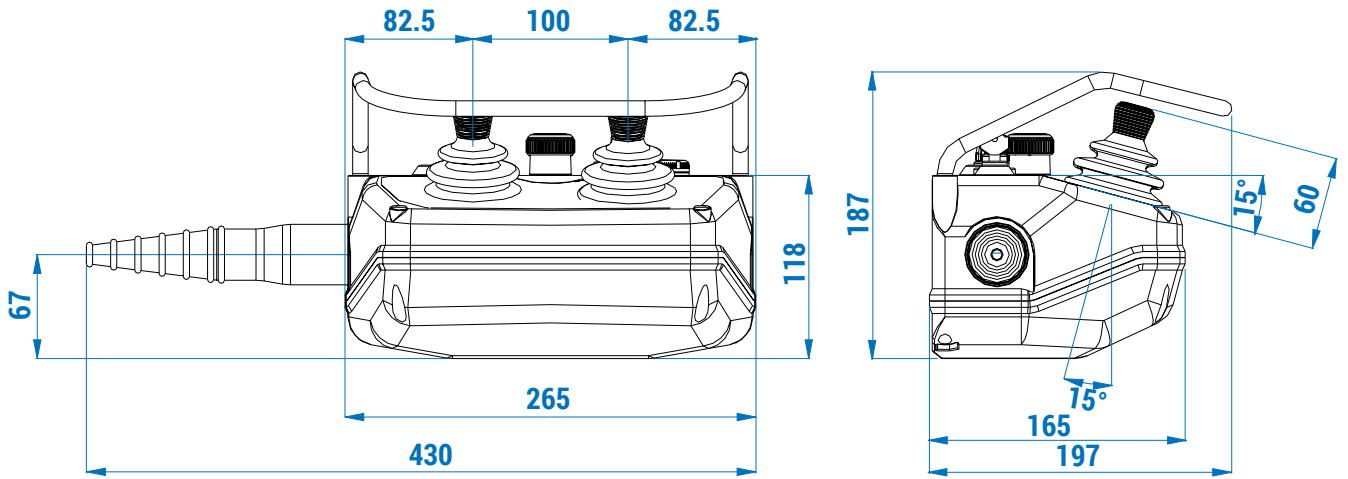
TECHNICAL SPECIFICATIONS OF THE SWITCHES (JOYSTICK)

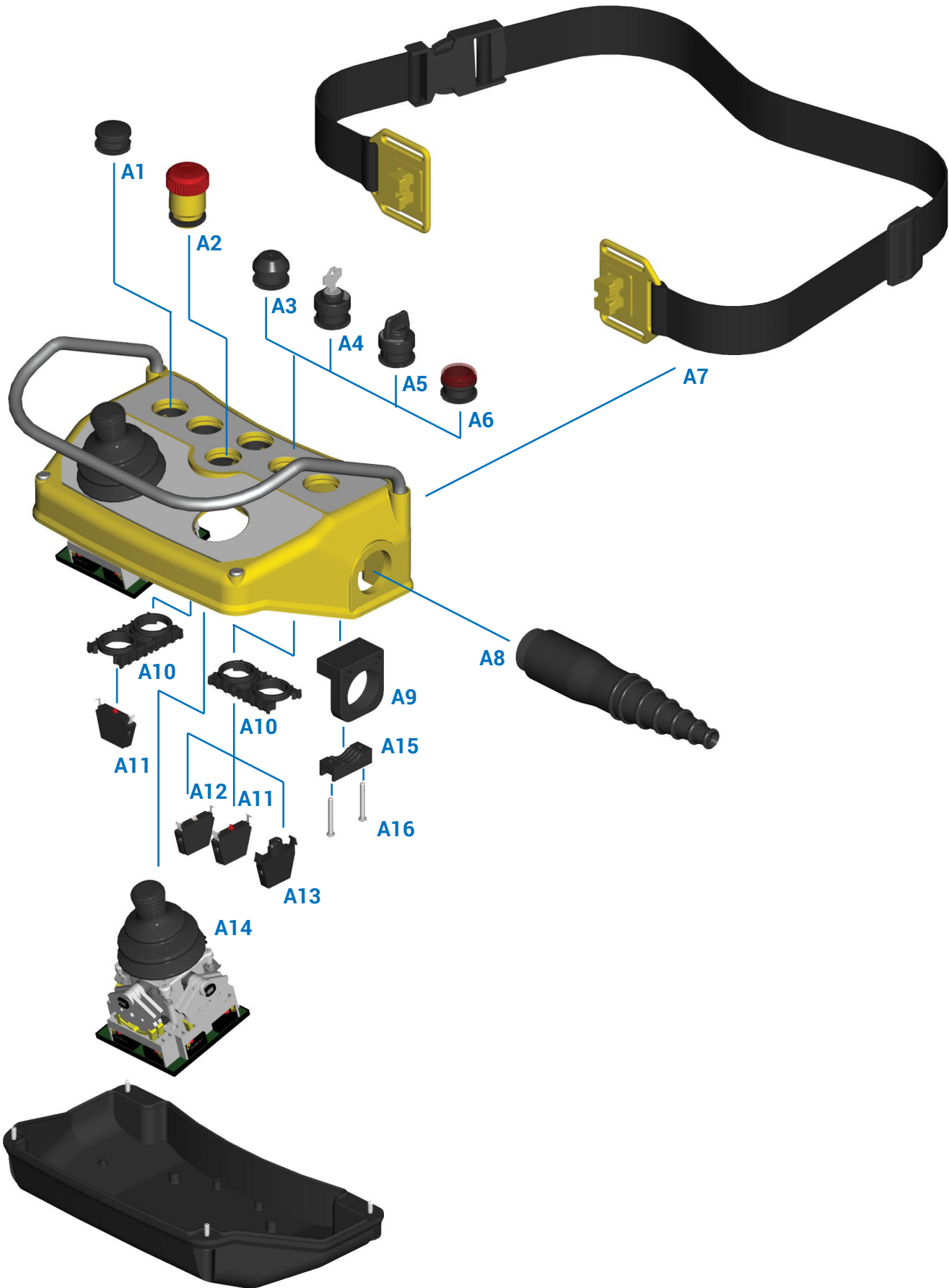
| | |
|----------------------------|---|
| Code | PRVV0804PE |
| Utilisation category | AC 15 |
| Rated thermal current | 8 A |
| Rated insulation voltage | 1000 Vac |
| Mechanical life | 5x10 ⁶ operations |
| Connections | Screw-type terminals |
| Wires | 0.14 mm ² - 1.5 mm ² |
| Tightening torque | 0.22 Nm - 0.25 Nm |
| Microswitch type | Single break |
| Contacts | 1NC |
| Scheme |  |
| Markings and homologations | CE |

TECHNICAL SPECIFICATIONS OF THE POTENTIOMETERS (JOYSTICK)

| Code | PRVV9021PE | PRVV9026PE |
|--------------------------------------|-----------------------------|------------|
| Ohmic value | 5 kΩ | 10 kΩ |
| Connections | 4 turrets | |
| Independent linearity (over AEA -3°) | ≤ ±1% | |
| Life time | 5x10 ⁶ movements | |
| Operational ambient temperature | -55 °C/+125 °C | |
| Mechanical angle | 360° continuous | |
| Actual Electrical Angle (AEA) | 340°±5° | |
| Ohmic value tolerance | Max ±20% at 20°C | |
| Dissipation | 0.3 W | |

OVERALL DIMENSIONS (mm)




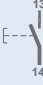







Refer to the following tables for descriptions of components: "Switches", "Actuators", "Pilot lights", "Mushroom pushbuttons", "Selector switches", "Joystick's and "Accessories".

COMPONENTS


Switches

| Ref. | Drawing | Description | Scheme | Code |
|------|---|----------------------------|---|------------|
| A11 |  | 1NC single switch |  | PRSL1001PI |
| A12 |  | 1NO single switch |  | PRSL1000PI |
| A13 |  | Lamp holder (without bulb) | - | PRSL1004PI |


Actuators

| Ref. | Drawing | Description | Code |
|------|---|---------------|------------|
| A1 |  | Blanking plug | PRSL1023PI |
| A3 |  | Pushbutton | PRTS000001 |



Pilot lights

| Ref. | Drawing | Color | Code |
|------|---|--------|------------|
| A6 |  | Red | PRSL1012PI |
| | | Yellow | PRSL1013PI |
| | | Green | PRSL1014PI |

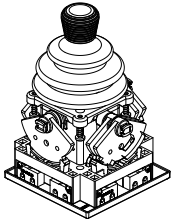
Mushroom pushbuttons

| Ref. | Drawing | Description | Code |
|------|---|--|------------|
| A2 |  | Latched mushroom pushbutton for emergency stop | PRSL1009PI |

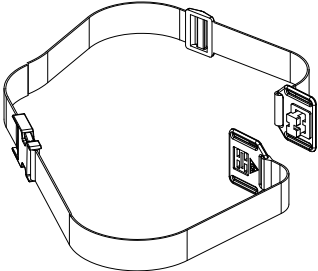
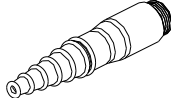




Selector switches

| Ref. | Drawing | Positions | Spring return | Maintained positions | Pull-out position | Code |
|------|---|-----------|---------------|----------------------|-------------------|------------|
| A4 |  | 0/1 | | X | 0 | PRSL1017PI |
| | | 0/1 | X | | 0 | PRSL1024PI |
| A5 |  | 0/1 | X | | | PRSL1015PI |
| | | 0/1 | | X | | PRSL1016PI |
| | | 1/0/2 | X | | | PRSL1026PI |
| | | 1/0/2 | | X | | PRSL1027PI |

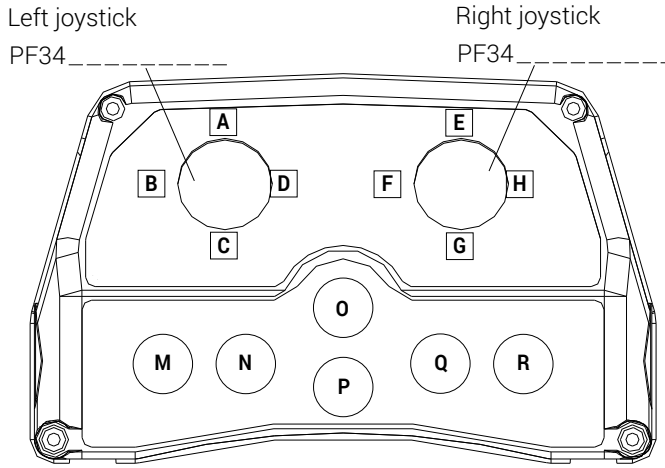
Joysticks

| Ref. | Drawing | Description | Code |
|------|---|-----------------|--|
| A14 |  | Joystick Juliet | PF34_----- Refer to joystick Juliet documentation |

Accessories

| Ref. | Drawing | Description | Code |
|------|---|--------------------------------|------------|
| A7 |  | Waist strap | PRSL0160PE |
| | | Shoulder strap | PRSL0161PE |
| A8 |  | Cable sleeve | PRSL0145PE |
| A9 |  | Cable sleeve holder | PRSL9207PI |
| A10 |  | Holding plate for 3+3 switches | PRSL8736PI |
| A15 |  | Cable clamp | PRSL9210AU |
| A16 |  | Screws for cable clamp | PRVI0089PE |

JULIET-PK - REQUEST FORM FOR JOYSTICK STATION



Control elements and switches

| Control element | Switches |
|-----------------|----------|
| M | _____ |
| N | _____ |
| O | _____ |
| P | _____ |
| Q | _____ |
| R | _____ |

Joystick label

| Text |
|------|
| A |
| B |
| C |
| D |
| E |
| F |
| G |
| H |

Control element label

| Symbol | Label color | Text |
|--------|-------------|-------|
| M | _____ | _____ |
| N | _____ | _____ |
| O | _____ | _____ |
| P | _____ | _____ |
| Q | _____ | _____ |
| R | _____ | _____ |

Control elements

- 1 PRSL1009PI Mushroom pushbutton
- 2 PRTS000001 Single pushbutton
- 3 PRSL1023PI Blanking plug
- 4 PRSL1012PI Red pilot light
- 5 PRSL1013PI Yellow pilot light
- 6 PRSL1014PI Green pilot light
- 7 PRSL1015PI Selector switch 0/1 spring return
- 8 PRSL1016PI Selector switch 0/1 maintained positions
- 9 PRSL1026PI Selector switch 1/0/2 spring return
- 10 PRSL1027PI Selector switch 1/0/2 maintained positions
- 11 PRSL1017PI Key selector switch 0/1 maintained positions
- 12 PRSL1024PI Key selector switch 0/1 spring return

Switches

- 20 PRSL1000PI 1NO
- 21 PRSL1001PI 1NC
- 22 PRSL1004PI Lamp holder (without bulb)

Symbols and colors of control element label

| | | | |
|----|----|----|----|
| 30 | 31 | 32 | 33 |
| 34 | 40 | 41 | 42 |
| 43 | 44 | | |

Position of cable sleeve

- Right
- Left

Instructions

- Write the code number of the left and right Juliet joysticks required.
- Write the number or the code corresponding to the control elements and switches (max 3) required in each position. ATTENTION: mushroom pushbutton PRSL1009PI can be placed only in the O position.
- Write the text required on the label for each position of the joystick.
- Write the symbol, the color and the text required on the label for each control element.
- Tick the appropriate box to show where the cable sleeve must be assembled.