

50A

Slip ring collector



Slip ring collector consisting of rings coupled with brushes, designed to allow current to pass from a fixed to a rotating part and used to supply crane motors and cable winders.

FEATURES

- Suitable for transmitting current with 50/60 Hz supply frequency.
- The enclosure has small downward holes for air circulation and to prevent problems due to moisture.
- The lower support plate is provided with three holes to drain any moisture that may form inside the unit.
- The enclosure is made of shock-resistant thermoplastic material to prevent contact with live electrical parts.
- Fitted with phosphor bronze brushes.
- IP protection degree: collector 50A is classified IP22.
- Extreme temperature resistance: -25°C to +70°C.

OPTIONS

- Up to sixteen 50A line rings coupled with brushes.

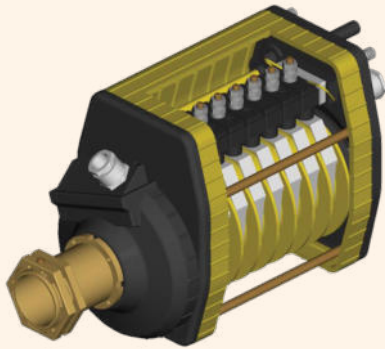
CERTIFICATIONS

- CE marking and EAC certification.

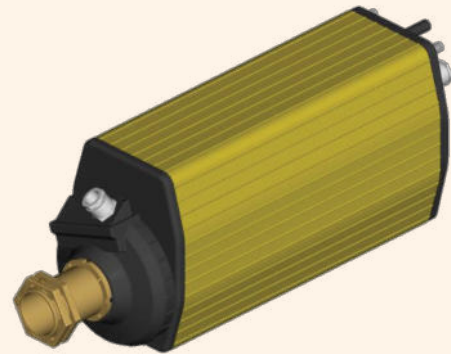
Fill in the "request form" for accurate product configuration.

POSSIBLE ASSEMBLIES

Standard (section view)



Standard 16 rings



CERTIFICATIONS

Conformity to Community Directives	2014/35/UE Low Voltage Directive
	2006/42/CE Machinery Directive
Conformity to CE Standards	EN 60204-1 Safety of machinery - Electrical equipment of machines
	EN 60309-1 Plugs, socket-outlets and couplers for industrial purposes - General requirements
	EN 60529 Degrees of protection provided by enclosures
Markings and homologations	CE ENEC

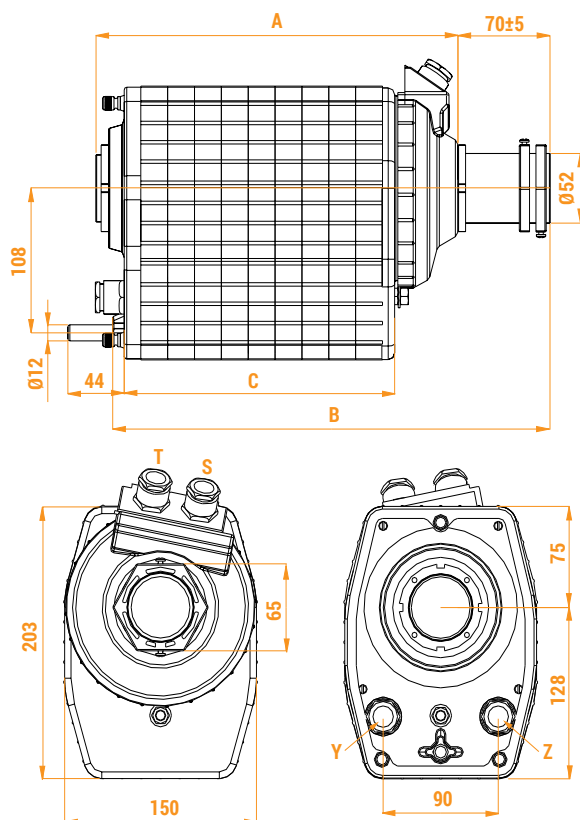
GENERAL TECHNICAL SPECIFICATIONS

Ambient temperature	Storage -40°C/+70°C
	Operational -25°C/+70°C
IP protection degree	IP 22
Insulation category	Class I
Operating positions	Any position
Cable entry	Cable clamps M20
	Cable clamps M25

ELECTRICAL SPECIFICATIONS

Rated operational current	50 A
Rated operational voltage	400 Vac
Rated insulation voltage	660 Vac
Max. speed	3 rev./min.
Connections	Terminals with M6 screw accepting ring connectors

STANDARD SLIP RING COLLECTORS AND OVERALL DIMENSIONS (mm)

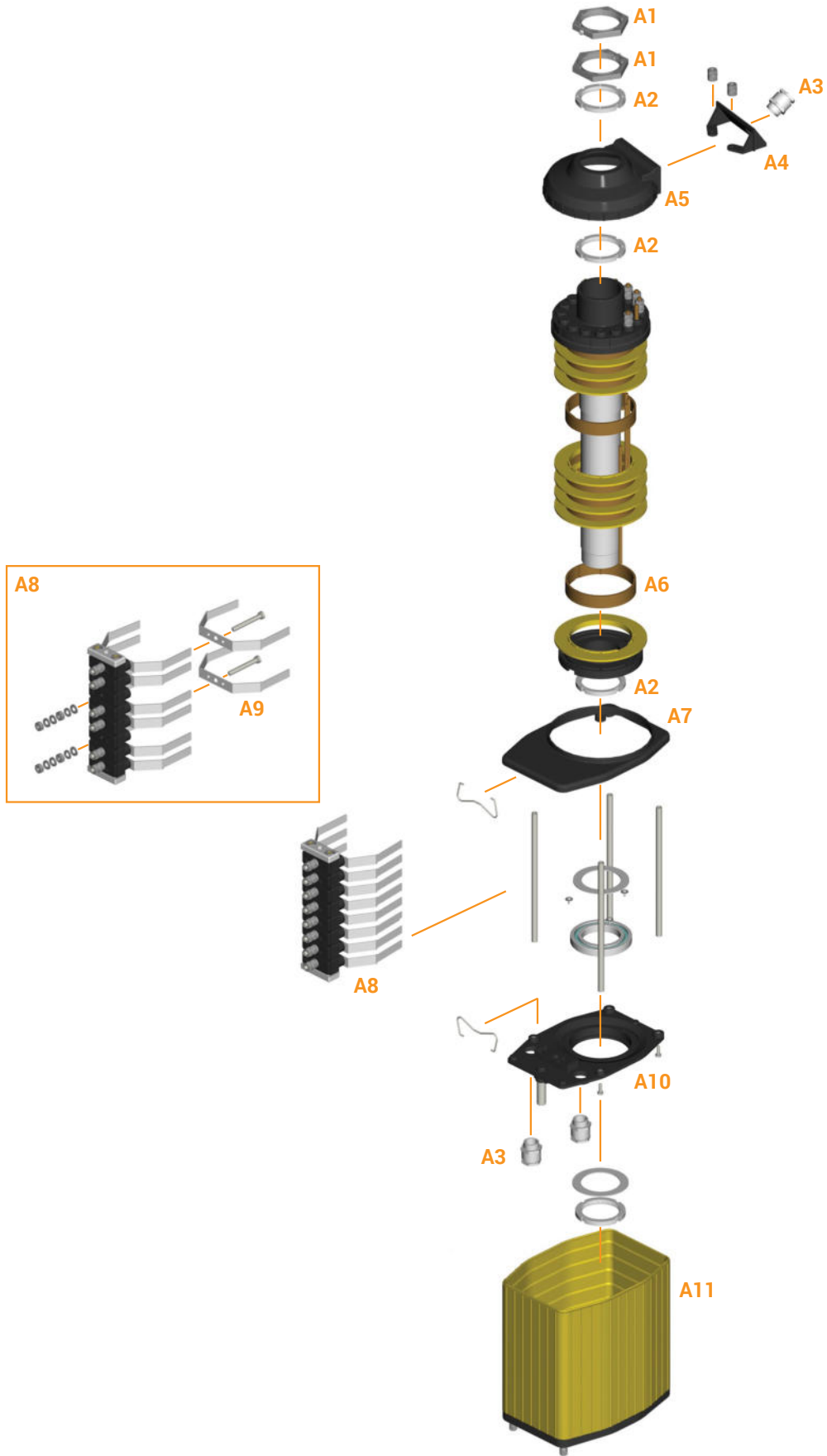


No. of rings 50A	Cable clamps type and position				Code	Dimensions (mm)		
	S	T	Y	Z		A	B	C
3	M20	-	-	M20	PF2203P001	174	249	106
4	M20	-	-	M20	PF2204P001	195	270	127
5	M20	-	-	M20	PF2205P001	216	291	148
6	M20	-	-	M20	PF2206P001	237	312	169
7	M20	M20	M20	M20	PF2207P001	258	333	190
8	M20	M20	M20	M20	PF2208P001	279	354	211
9	M20	M20	M20	M20	PF2209P003	300	375	232
10	M20	M20	M20	M20	PF2210P001	321	396	253
11	M20	M20	M20	M20	PF2211P002	342	417	274
12	M20	M20	M20	M20	PF2212P001	363	438	295
13	M20	M20	M20	M20	PF2213P001	384	459	316
14	M20	M20	M20	M20	PF2214P001	405	480	337
15	M20	M20	M20	M20	PF2215P001	426	501	358
16	M20	M20	M20	M20	PF2216P001	447	522	379

Max No. of rings: 16.

ASSEMBLY DRAWING



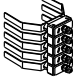
6





Refer to the following tables for descriptions of components: "Brushes and rings", "Cable clamps" and "Accessories".

COMPONENTS




Brushes and rings

Ref.	Drawing	Description	Code
A6		Brass ring Ø 92mm	PRSL4015PE
A9		Phosphor bronze brush	PRSL4018PI
A8		Brush-holder with brushes	Codes on request

Cable clamps

Ref.	Drawing	Description	Code
A3		Cable clamp M20	PRPS1075PE
		Cable clamp M25	PRPS1076PE
A4		Cable clamp support	PRSL9066PI

Accessories

Ref.	Drawing	Description	Code
A1		Nut	PRSL4010PE
A2		Ring - pitch 1.5	PRSL4001PE
A5		Cover	PRSL5680PI
A7		Upper plate	PRSL5685PI
A10		Bearing holder lower plate	PRSL5690PI
A11		Protection	Codes on request

