

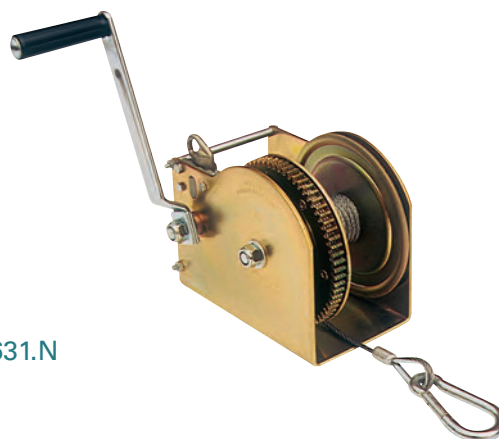


## ▲ PULLING WINCHES FROM 470 TO 2 700 KG > REF. 631. N

- Occasional use or leisure (boat trailers...).
- Tensioning of cables or nets.

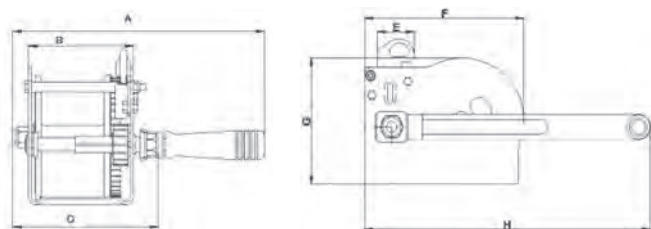
### ▲ Technical properties

- Zinc protection.
- Holding and disengaging ratchet.
- Compact.
- To use with steel ropes.
- Holding brake for heavy load (ref. « F »).



▲ 631.N

### ▲ Dimensions



	3N1	5N1	7N1	9N1	16N2F	25N3F
<b>A mm</b>	230	240	242	270	290	345
<b>B mm</b>	90	99	100	120	120	163
<b>C mm</b>	130	140	142	165	175	230
<b>E mm</b>	38	38	38	38	38	38
<b>F mm</b>	125	161	200	214	214	265
<b>G mm</b>	100	127	166	171	171	190
<b>H mm</b>	200	240	240	253	312	348

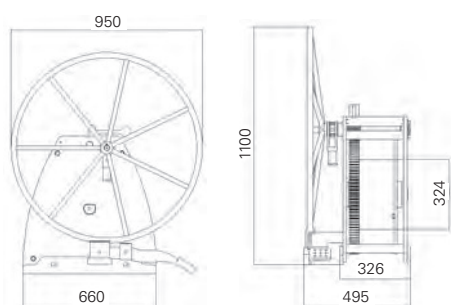
## ▲ PULLING WINCHES FOR 4 T BARGES (10 T FOR HOLDING) > REF. THB

- Anchorage of barges together for river sailing or mooring at dock

### ▲ Technical properties

- Very rugged mechanical construction.
- Steel chassis and drum.
- Straight cut gearing, high tensile steel.
- Drum and shafts mounted on self-lubricated bearings.
- Operated by right hand or left hand wheel.
- Retaining ratchet.
- Lever-operated locking ratchet.
- Pedal brake acting directly on hand wheel.

### ▲ Dimensions



Dimensions mm

▲ THB



### ▲ Technical characteristics

References	THB
<b>Capacity 1st layer kg</b>	<b>5100</b>
Capacity top layer kg	4000
Nb of layers	4
Wire rope cap. 1st layer m*	7.5
Wire rope cap. top layer m*	46
Wire rope Ø mm	16
Travel/hand wheel revolution mm	150
Weight (without wire rope) kg	250

The indicated rope diameter corresponds to the capacity on the top layer with a safety coefficient equal to (about) 3 when pulling with non-rotating rope.

\* Rope and hook extra (see p.88 to 91).