



- Light work: maintenance, upkeep, repairs, fitting, installations, small sites, agriculture, first aid...
- Mechanized gardening.
- Quad.
- DIY.

Technical properties

- Can be used with all screwdrivers, cordless or not.
- Easy to set up: suspension hook.
- Small size.
- Light.
- Works in all positions.
- Cable length:
 - unlimited in traction.
 - limited to 50 m in lifting (beyond 12 m, loss of 10% of lifting force per 10 m section).
- Automatic load maintenance system (patented self-braking brake reducer).
- Supplied as standard with 12 m of cable (aviation type \varnothing 4.76 mm galvanized steel cable).
- Pulley block to double the load as option:
 - > lifting capacity for loads: 600 kg on two falls.
 - > haulage capacity for loads on wheels: from 900 to 3000 kg on two falls depending on the slope.
- New: Optional wall support.

► Ref. PULLEY MAN
Its motor: your screw driver or drill!



Optional equipment



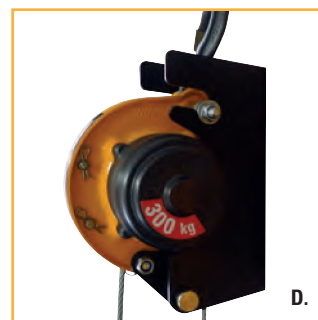
A.



B.



C.



D.

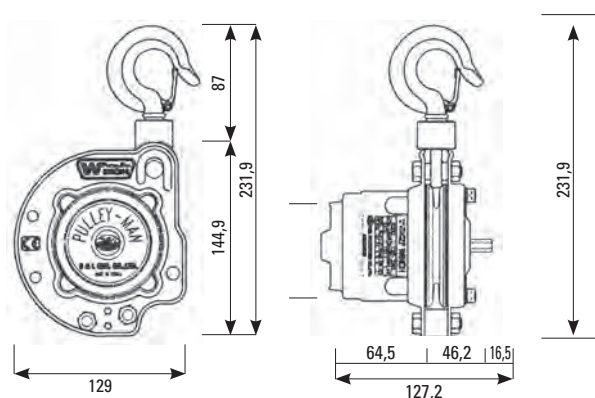
A. Complete kit composed by a case, a winch, a drill, a charger, a sling and two shackles. Easy to transport.

B. The contents of the case.

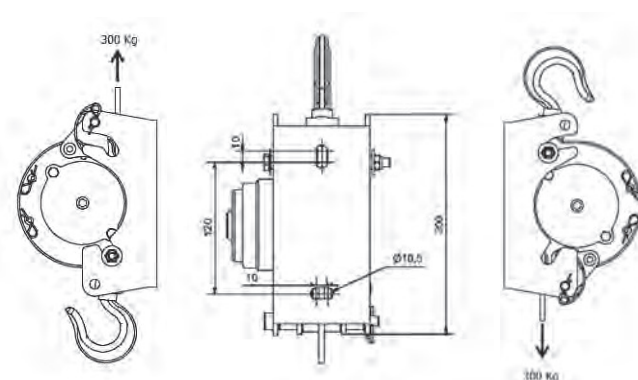
C. Single case (case, winch).

D. Wall support in option.

Dimensions

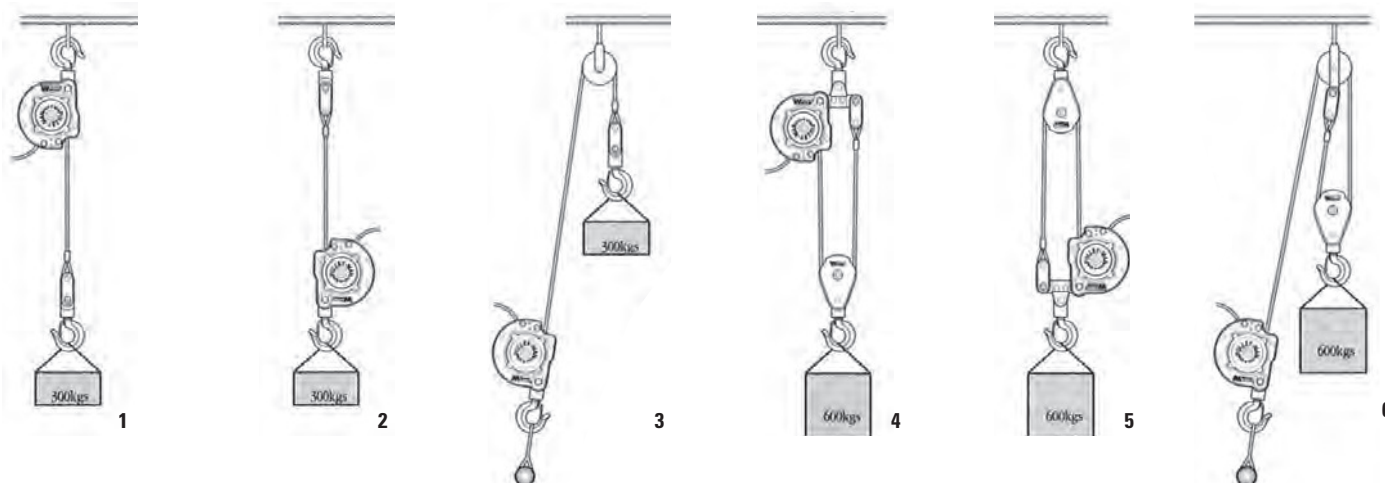


Dimensions mm.



Wall support in option.

Fastening methods

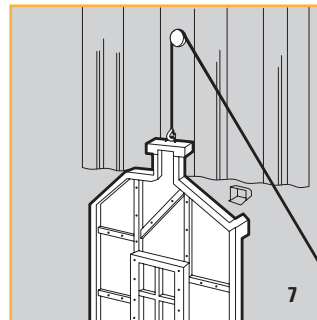
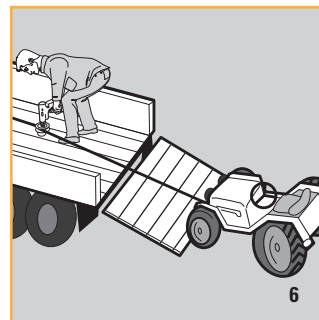
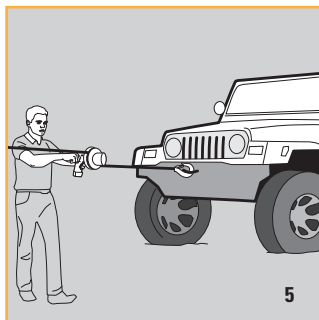
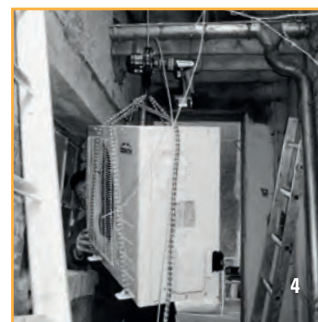
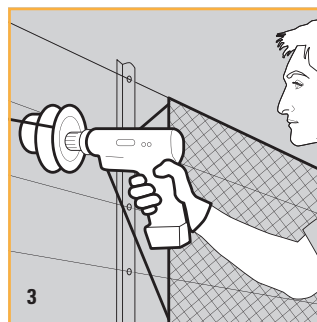
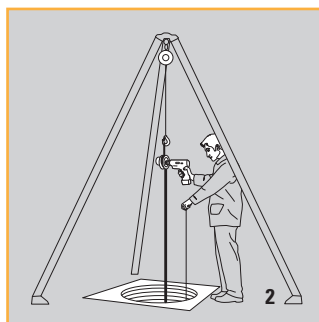


1. Single fall – Winch at the top.
2. Single fall – Winch at the bottom.

3. Single fall – Winch in the middle.
4. Double fall - Winch at the top.

5. Double fall - Winch at the bottom.
6. Double fall – Winch in the middle.

Applications



- 1.4. Lifting loads.
2. Lifting a load above a well.
3. Tautening wire fencing.
5. Towing a vehicle.

6. Pulling a trailer / a tractor.
7. Handling scenery.
8. Handling of heavy loads.

Technical characteristics

Reference	Pulley-man
Capacity kg	315
Pulling capacity for loads on wheels kg (with a slope of 6°/12°/16°/27°/30°)	1500/975/825/585/450
Wire rope Ø mm*	4.76
Weight (with 12 m of wire rope and hook) kg	7.5

* 12 m of cable and hook included.