



PARANCO CON CARRELLO MONORAVE
HOIST WITH MONORAIL TROLLEY

Paranchi standard SERIE XM
XM SERIES standard hoists

XM 308 / 312 / 316 / 525
Portata Capacity 1÷5 t

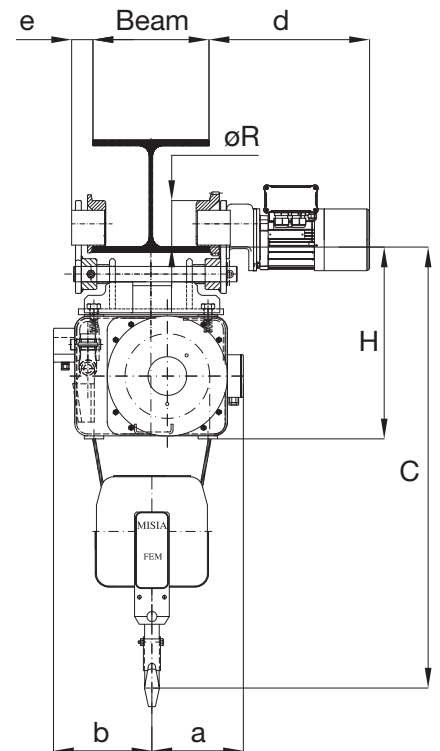
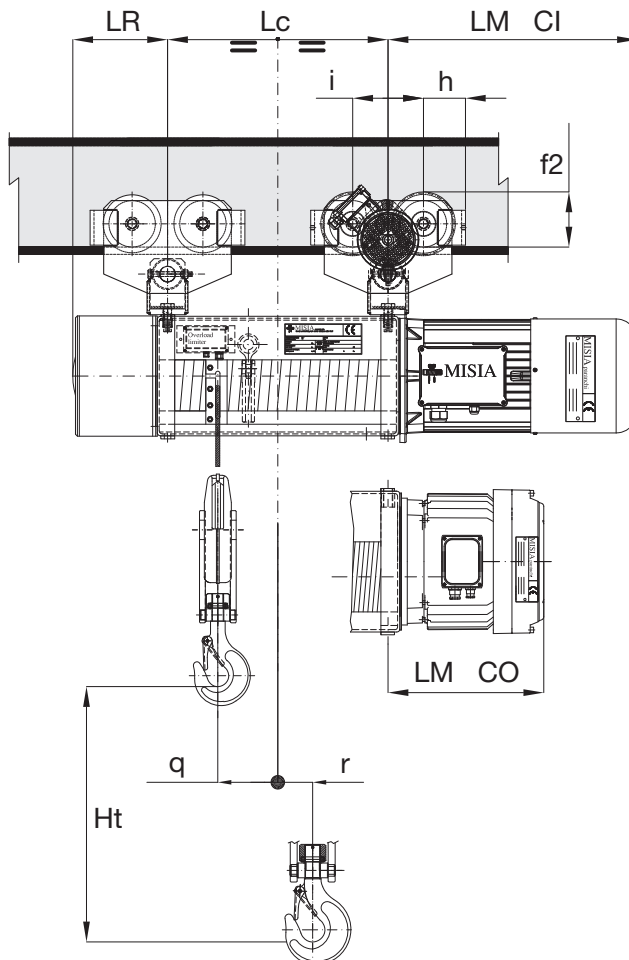
S2 2 TIRI DI FUNE (2/1) - 2 ROPE FALLS (2/1)

Tipo 3 A INGOMBRO NORMALE - STANDARD HEADROOM



Diametro ruota Wheel diameter	x	L	g max
mm	mm	mm	mm
120	17	35	25

R = Per single wheel





PARANCO CON CARRELLO MONOTRAVE
HOIST WITH MONORAIL TROLLEY

Paranchi standard SERIE XM
XM SERIES standard hoists

XM 308 / 312 / 316 / 525
Portata Capacity 1÷5 t

S2 2 TIRI DI FUNE (2/1) - 2 ROPE FALLS (2/1)
Tipo 3 A INGOMBRO NORMALE - STANDARD HEADROOM

Dimensioni fisse Fixed dimensions

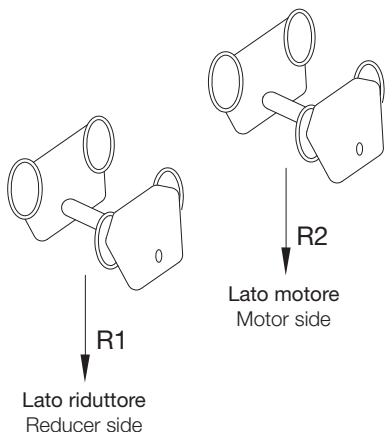
Portata WLL	Gruppo Group	Paranco Hoist type	C	H	a	b	d	e	øR	f2	i	h	Larghezza min ala trave Min flange width
Kg	FEM	XM	mm	mm	mm	mm	mm	mm	mm	mm	mm	mm	mm
1000	3m	308 - 2/1	1080	500	240	250	410	60	120	145	183	110	110
1600	2m	308 - 2/1	1080	500	240	250	410	60	120	145	183	110	110
2500	2m	312 - 2/1	1140	510	240	250	410	60	120	145	183	110	110
3200	2m	316 - 2/1	1140	510	240	250	410	60	120	145	183	110	110
5000	2m	525 - 2/1	1180	560	280	260	410	60	120	145	183	110	110

Dimensioni variabili Variable dimensions

Portata WLL	Gruppo Group	Paranco Hoist type	Corsa gancio Hook travel	Lc	q	r	LMCI				LMCO				LR	Peso Weight
Kg	FEM	XM	m	mm	mm	mm	mm N	mm V	mm NA	mm VA	mm N	mm V	mm NA	mm VA		Kg
1000	3m	308 - 2/1	10	395	91	61	460	460	490	490	315	375	385	420	200	340
			14	520	154											430
1600	2m		20	700	244											450
			26	885	377											465
2500	2m	312 - 2/1	10	440	90	77	460	460	490	565	375	420	420	420	250	480
			14	570	155											500
			20	775	258											520
			26	975	358											545
3200	2m	316 - 2/1	10	440	90	77	460	565	500	565	375	/	420	/	250	505
			14	570	155											530
			20	775	258											555
			26	975	358											580
5000	2m	525 - 2/1	10	455	90	78	600	650	600	650	415	465	460	505	270	590
			14	590	157											610
			20	795	260											650
			26	995	360											690

Reazioni statiche Static reactions

S2 - XM 308 / 312 / 316 / 525
CARRELLI PARANCO TIPO 3 - HOIST TROLLEYS TYPE 3



Paranco Hoist type	Portata WLL	Corse gancio Hook travel							
		H10		H14		H20		H26	
XM	Kg	R1 daN	R2 daN	R1 daN	R2 daN	R1 daN	R2 daN	R1 daN	R2 daN
308	1000	837	468	958	357	1021	314	1062	288
308	1600	1246	659	1436	479	1530	405	1590	360
312	2000	1552	823	1748	647	1882	533	1964	476
312	2500	1892	983	2134	761	2298	617	2397	543
316	3200	2381	1219	2689	936	2899	751	3022	653
525	3200	2430	1265	2718	997	2935	820	3068	727
525	4000	2974	1521	3331	1184	3597	958	3757	838
525	5000	3654	1841	4097	1418	4424	1131	4619	976

Carico sulla singola ruota = $\frac{R1}{4}$ $\frac{R2}{4}$
Load on the single wheel = $\frac{R1}{4}$ $\frac{R2}{4}$

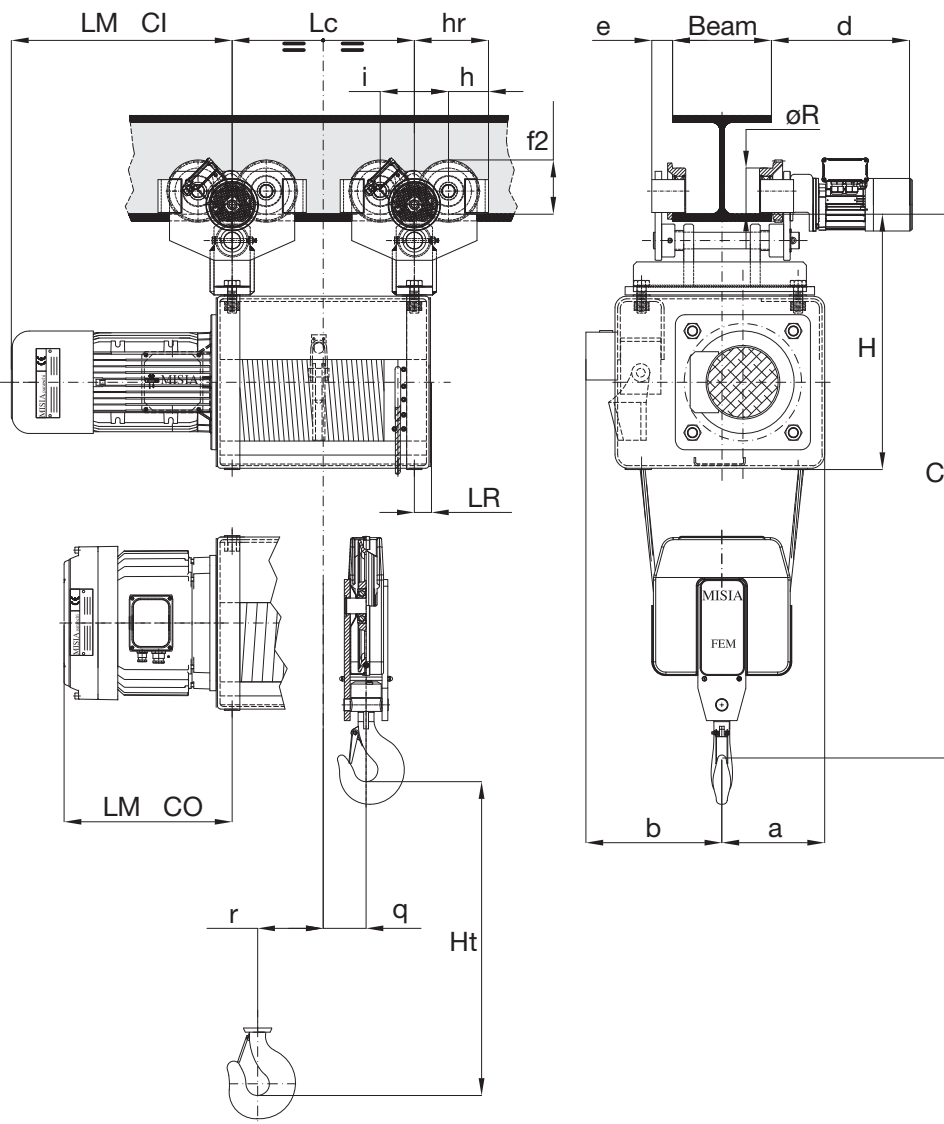
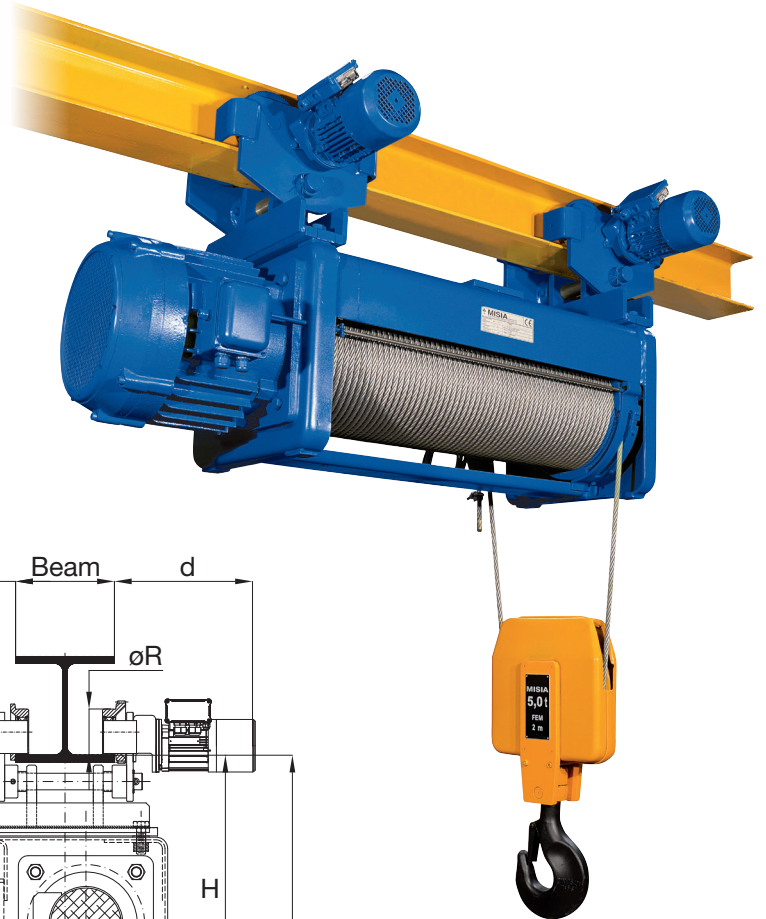


PARANCO CON CARRELLO MONOTRAVE
HOIST WITH MONORAIL TROLLEY

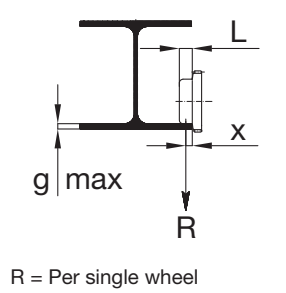
Paranchi standard SERIE XM
XM SERIES standard hoists

XM 740 / 750 / 963
Portata Capacity **6,3÷16 t**

S2 2 TIRI DI FUNE (2/1) - 2 ROPE FALLS (2/1)
Tipo 3 A INGOMBRO NORMALE - STANDARD HEADROOM



Diametro ruota Wheel diameter	x	L	g max
mm	mm	mm	mm
140	20	40	25



R = Per single wheel



PARANCO CON CARRELLO MONOTRAVE
HOIST WITH MONORAIL TROLLEY

Paranchi standard SERIE XM
XM SERIES standard hoists

XM 740 / 750 / 963
Portata Capacity **6,3÷16 t**

S2 2 TIRI DI FUNE (2/1) - 2 ROPE FALLS (2/1)
Tipo 3 A INGOMBRO NORMALE - STANDARD HEADROOM

Dimensioni fisse Fixed dimensions

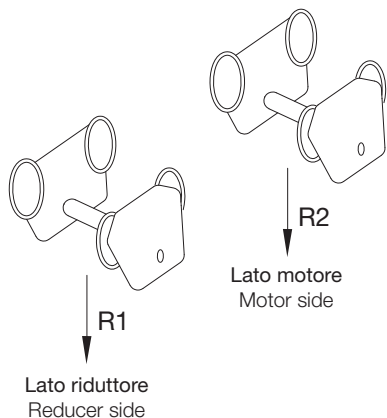
Portata WLL	Gruppo Group	Paranco Hoist type	C	H	a	b	d	e	øR	f2	i	h	hr	Larghezza min ala trave Min flange width
Kg	FEM	XM	mm	mm	mm	mm	mm	mm	mm	mm	mm	mm	mm	mm
6300	3m	740 - 2/1	1650	775	410	410	410	70	140	165	207	125	225	120
8000	2m	740 - 2/1	1650	775	410	410	410	70	140	165	207	125	225	120
10000	2m	750 - 2/1	1750	775	410	410	410	70	140	165	207	125	225	120
10000	3m	963 - 2/1	2110	900	410	450	410	70	140	165	207	125	225	120
12500	2m	963 - 2/1	2110	900	410	450	410	100	140	165	207	125	225	120
16000	1Am	980 - 2/1	2110	900	410	450	350	250	210	235	310	150	310	120

Dimensioni variabili Variable dimensions

Portata WLL	Gruppo Group	Paranco Hoist type	Corsa gancio Hook travel	Lc	q	r	LMCI				LMCO				LR	Peso Weight												
Kg	FEM	XM	m	mm	mm	mm	mm N	mm V	mm NA	mm VA	mm N	mm V	mm NA	mm VA	mm	Kg												
6300	3m	740 - 2/1	13	563	130	83	670	/	670	/	480	/	520	/	45	900												
			18	713	160	133											940											
25	928		268	133	990																							
32	1143		375			133												1040										
10000	2m	750 - 2/1	13	563			135	83	670	/	670	/	480	/	520	/			45	910								
			18	713		160	133	950																				
			25	928	268	133											990											
			32	1143	375		133											1040										
10000	3m	963 - 2/1	20	840	230	134			760	/	760	/	495	/	535	/			60	1360								
			32	1255	438		134	760													/	760	/	495	/	535	/	60
			48	1755	688												134											
12500	2m	963 - 2/1	20	840	230	134	760		/	760	/	495	/	535	/	60		1360										
			32	1255	438			134									760		/	760	/	495	/	535	/	60	1490	
			48	1755	688																							134
16000	1Am	980 - 2/1	20	840	230	134	760	/	760	/	495	/	535	/	60	1920												
			32	1255	438												134	760	/	760	/	495	/	535	/	60	2070	
			48	1755	688																							134

Reazioni statiche Static reactions

S2 - XM 740 / 750 / 963
CARRELLI PARANCO TIPO 3 - HOIST TROLLEYS TYPE 3



Paranco Hoist	Portata Capacity	Corse gancio Hook travel							
		H13		H18		H25		H32	
XM	Kg	R1 daN	R2 daN	R1 daN	R2 daN	R1 daN	R2 daN	R1 daN	R2 daN
740	6300	4925	2420	5120	2265	5554	1881	5829	1656
740	8000	6110	2935	6351	2734	6895	2240	7237	1948
750	10000	7852	3058	7720	3230	8366	2624	8800	2240
XM	Kg	H20		H32		H48		/	
963	10000	8500	2975	9136	2094	9858	1947	/	/
963	12500	10352	3508	11357	2633	11950	2155	/	/
980	16000	13340	4580	14620	3450	15400	2850	/	/

Carico sulla singola ruota = $\frac{R1}{4} \frac{R2}{4}$
Load on the single wheel = $\frac{R1}{4} \frac{R2}{4}$



PARANCO CON CARRELLO MONORAVE
HOIST WITH MONORAIL TROLLEY

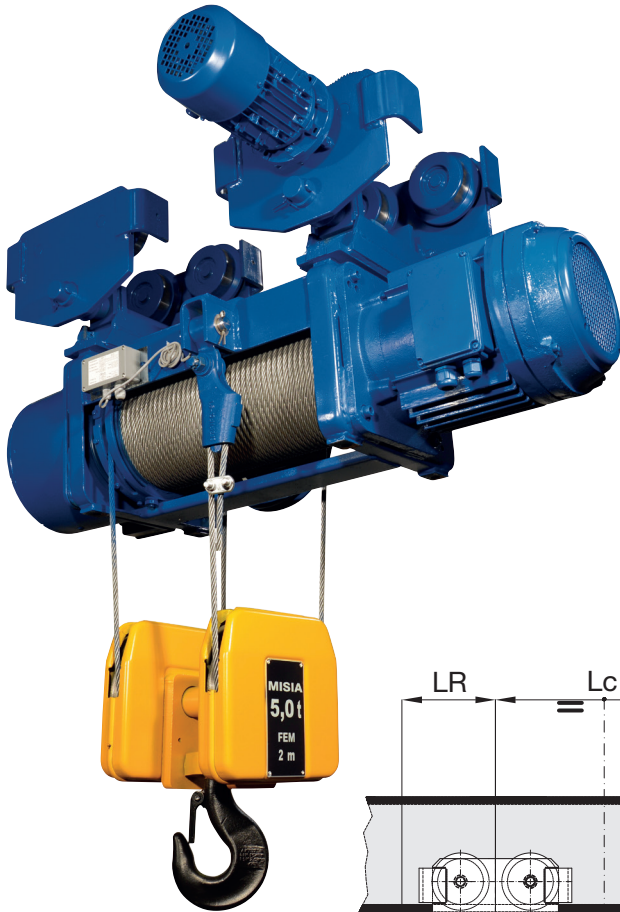
Paranchi standard SERIE XM
XM SERIES standard hoists

XM 308 / 312 / 316 / 525

Portata Capacity 2÷10 t

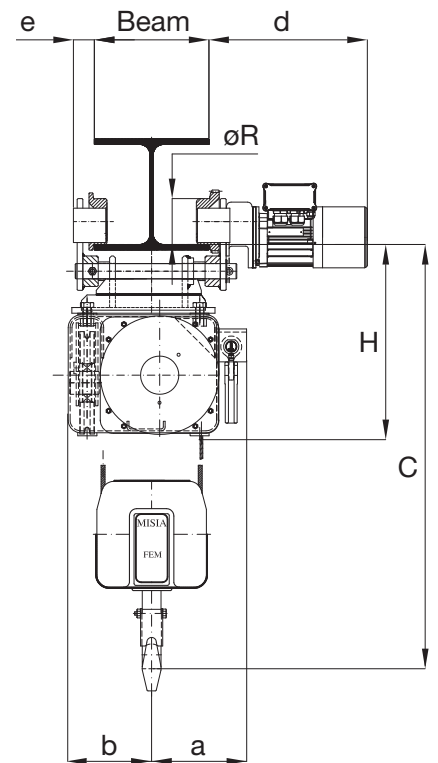
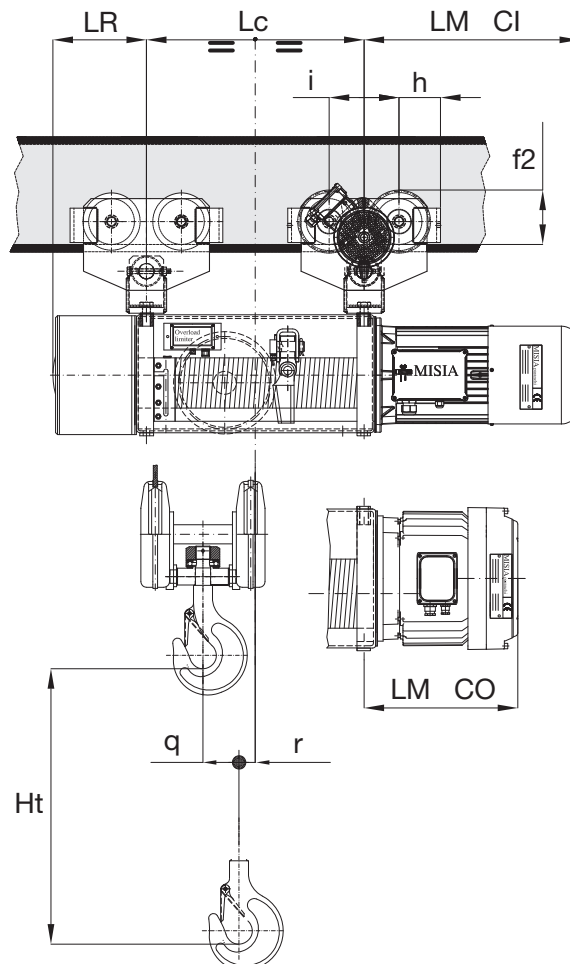
S4 4 TIRI DI FUNE (4/1) - 4 ROPE FALLS (4/1)

Tipo 3 A INGOMBRO NORMALE - STANDARD HEADROOM



Diametro ruota Wheel diameter	x	L	g max
mm	mm	mm	mm
120	17	35	25
140	20	40	25

R = Per single wheel





PARANCO CON CARRELLO MONOTRAVE
HOIST WITH MONORAIL TROLLEY

Paranchi standard SERIE XM
XM SERIES standard hoists

XM 308 / 312 / 316 / 525
Portata Capacity 2÷10 t

S4 4 TIRI DI FUNE (4/1) - 4 ROPE FALLS (4/1)
Tipo 3 A INGOMBRO NORMALE - STANDARD HEADROOM

Dimensioni fisse Fixed dimensions

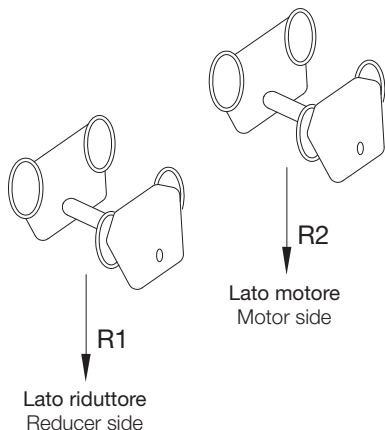
Portata WLL	Gruppo Group	Paranco Hoist type	C	H	a	b	d	e	øR	f2	i	h	Larghezza min ala trave Min flange width
Kg	FEM	XM	mm	mm	mm	mm	mm	mm	mm	mm	mm	mm	mm
2000	3m	308 - 4/1	1020	500	260	240	410	60	120	145	183	110	110
3200	2m	308 - 4/1	1020	500	260	240	410	60	120	145	183	110	110
5000	2m	312 - 4/1	1120	510	260	240	410	60	120	145	183	110	110
6300	2m	316 - 4/1	1140	510	260	240	410	70	140	165	207	125	120
10000	2m	525 - 4/1	1290	560	280	265	410	70	140	165	207	125	120

Dimensioni variabili Variable dimensions

Portata WLL	Gruppo Group	Paranco Hoist type	Corsa gancio Hook travel	Lc	q	r	LMCI				LMCO				LR	Peso Weight
Kg	FEM	XM	m	mm	mm	mm	mm N	mm V	mm NA	mm VA	mm N	mm V	mm NA	mm VA		Kg
2000	3m	308 - 4/1	7	520	132	25	460	460	490	490	315	375	385	420	200	450
			10	700	222	69										470
3200	2m		13	885	314	115										490
		5000	2m	312 - 4/1	7	570	137	19	460	460	490	565	375	420	420	420
10	775				240	72	550									
13	975				340	122	580									
6300	2m	316 - 4/1	7	570	137	19	460	565	500	565	375	/	420	/	250	675
			10	775	240	72										705
			13	975	340	122										745
10000	2m	525 - 4/1	7	590	133	15	600	650	600	650	415	465	460	505	270	800
			10	795	236	67										840
			13	995	336	117										880

Reazioni statiche Static reactions

S4 - XM 308 / 312 / 316 / 525
CARRELLI PARANCO TIPO 3 - HOIST TROLLEYS TYPE 3



Paranco Hoist type	Portata WLL	Corse gancio Hook travel					
		H7		H10		H13	
XM	Kg	R1 daN	R2 daN	R1 daN	R2 daN	R1 daN	R2 daN
308	2000	1690	660	1829	541	1915	475
308	2500	2067	783	2237	633	2343	547
308	3200	2595	955	2809	761	2941	649
312	4000	3186	1244	3481	979	3654	836
312	5000	3926	1504	4291	1169	4503	987
316	6300	4938	1887	5392	1463	5660	1235
525	6300	4918	2042	5394	1606	5674	1366
525	8000	6151	2509	6749	1951	7099	1641
525	10000	7602	3058	8342	2358	8774	1966

Carico sulla singola ruota = $\frac{R1}{4} \frac{R2}{4}$
Load on the single wheel = $\frac{R1}{4} \frac{R2}{4}$

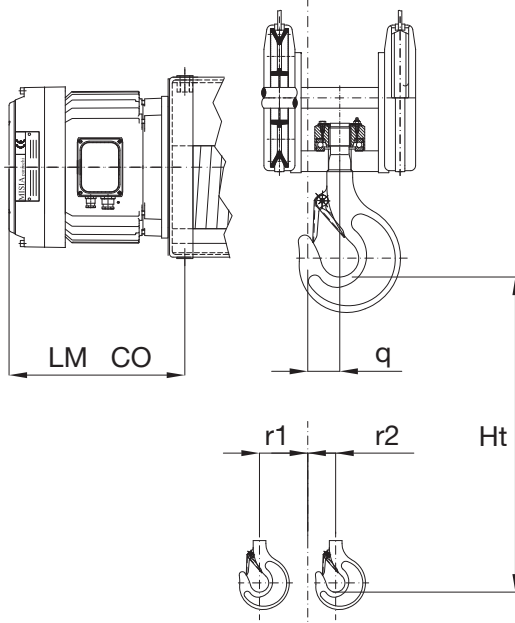
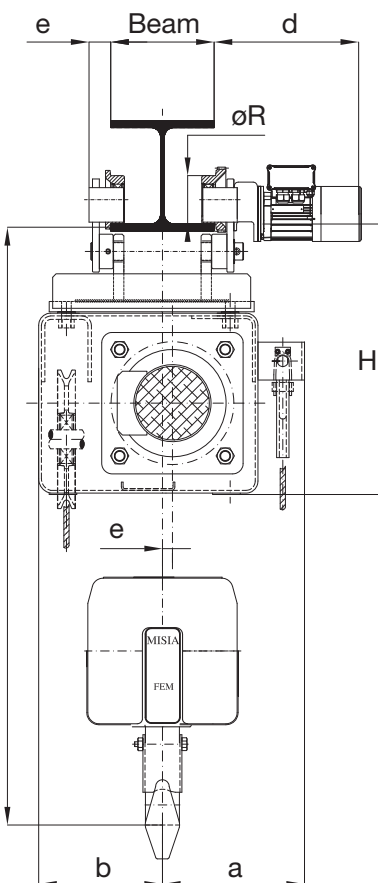
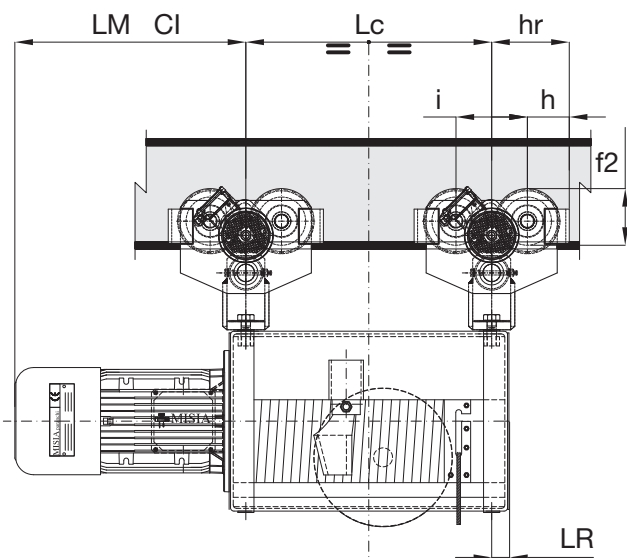
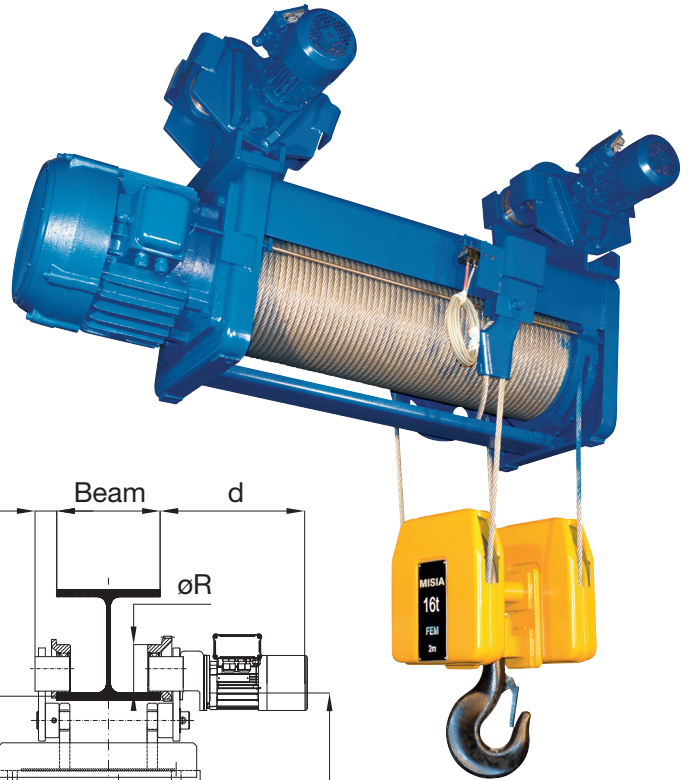


PARANCO CON CARRELLO MONOTRAVE
HOIST WITH MONORAIL TROLLEY

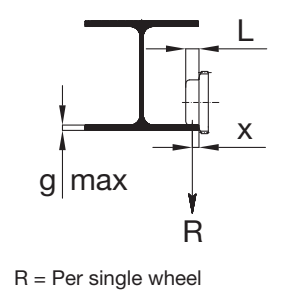
Paranchi standard SERIE XM
XM SERIES standard hoists

XM 740 / 750 / 963
Portata Capacity 12,5÷32 t

S4 4 TIRI DI FUNE (4/1) - 4 ROPE FALLS (4/1)
Tipo 3 A INGOMBRO NORMALE - STANDARD HEADROOM



Diametro ruota Wheel diameter	x	L	g max
mm	mm	mm	mm
140	20	40	25
210	20	40	40





PARANCO CON CARRELLO MONOTRAVE
HOIST WITH MONORAIL TROLLEY

Paranchi standard SERIE XM
XM SERIES standard hoists

XM 740 / 750 / 963
Portata Capacity 12,5÷32 t

S4 4 TIRI DI FUNE (4/1) - 4 ROPE FALLS (4/1)
Tipo 3 A INGOMBRO NORMALE - STANDARD HEADROOM

Dimensioni fisse Fixed dimensions

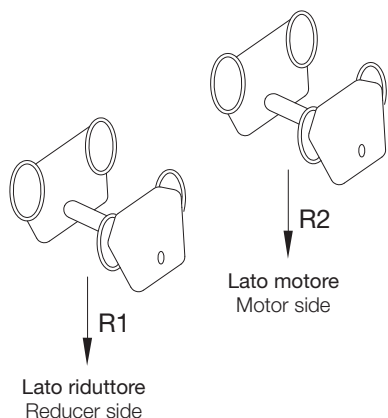
Portata WLL	Gruppo Group	Paranco Hoist type	C	H	a	b	d	e	øR	f2	i	h	Larghezza min ala trave Min flange width
Kg	FEM	XM	mm	mm	mm	mm	mm	mm	mm	mm	mm	mm	mm
12500	3m	740 - 4/1	1600	785	415	360	410	70	140	165	207	125	120
16000	2m	740 - 4/1	1600	785	415	360	410	70	140	165	207	125	120
20000	2m	750 - 4/1	1740	910	415	360	310	140	210	235	310	200	120
20000	3m	963 - 4/1	1960	1020	470	405	310	140	210	235	310	200	120
25000	2m	963 - 4/1	1960	1020	470	405	310	140	210	235	310	200	120
32000	1Am	980 - 4/1	2040	1020	470	405	310	140	210	235	310	200	120

Dimensioni variabili Variable dimensions

Portata WLL	Gruppo Group	Paranco Hoist type	Corsa gancio Hook travel	Lc	q	r1	r2	LMCI				LMCO				LR	Peso Weight	
								mm N	mm V	mm NA	mm VA	mm N	mm V	mm NA	mm VA			
12500	3m	740 - 4/1	6,5	553	35	71	/	670	/	670	/	480	/	520	/	45	1010	
			9	713	115	31	/										1050	
			12,5	928	223	/	22										1100	
16000	2m	740 - 4/1	16	1143	330	/	76	670	/	670	/	480	/	520	/	45	1150	
			/	/	/	/	/										/	1490
			9	713	115	31	/										1540	
20000	2m	750 - 4/1	12,5	928	223	/	22	670	/	670	/	480	/	520	/	45	1590	
			16	1143	330	/	76										1970	
			10	840	130	52	/										2120	
20000	3m	963 - 4/1	16	1255	338	/	51	760	/	760	/	495	/	535	/	60	2300	
			24	1755	588	/	177										1970	
			10	840	130	52	/										2120	
25000	2m	963 - 4/1	16	1255	338	/	51	760	/	760	/	495	/	535	/	60	2300	
			24	1755	588	/	177										1990	
			10	840	130	52	/										2140	
32000	1Am	980 - 4/1	16	1255	338	/	51	760	/	760	/	495	/	535	/	60	2320	
			24	1755	588	/	177										1990	
			10	840	130	52	/										2140	

Reazioni statiche Static reactions

S4 - XM 740 / 750 / 963
CARRELLI PARANCO TIPO 3 - HOIST TROLLEYS TYPE 3



Paranco Hoist	Portata Capacity	Corse gancio Hook travel							
		H6,5		H9		H12,5		H16	
XM	Kg	R1 daN	R2 daN	R1 daN	R2 daN	R1 daN	R2 daN	R1 daN	R2 daN
740	12500	5802	8158	8908	5092	10055	3995	10691	3409
740	16000	7225	10235	11188	6312	12646	4905	13451	4149
750	20000	/	/	13970	7520	15576	5964	14697	6893
XM	Kg	H10		H16		H24		/	
963	20000	14265	8035	16646	5804	18059	4571	/	/
963	25000	18340	8630	20293	6827	22026	5274	/	/
980	32000	21947	12043	25688	8452	27880	6440	/	/

Carico sulla singola ruota = $\frac{R1}{4}$ $\frac{R2}{4}$
Load on the single wheel = $\frac{R1}{4}$ $\frac{R2}{4}$