

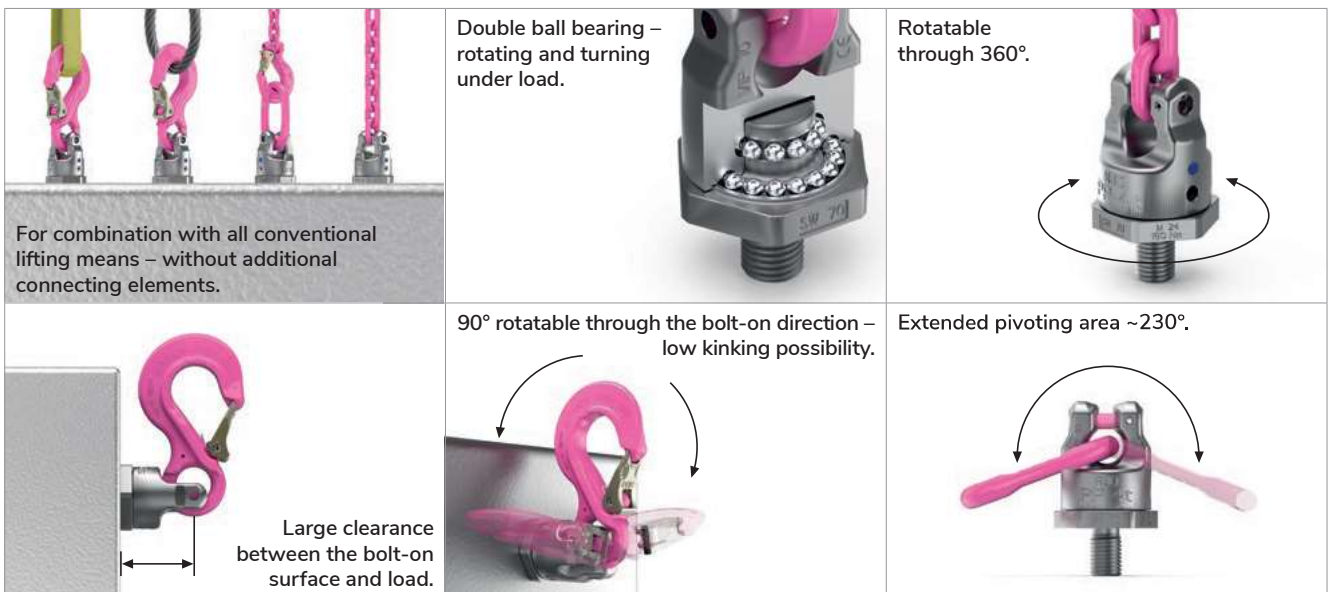
PP-S / PP-B / PP-VIP

PowerPoint®-Star / eye connection /
-VIP-chain connection.



PRODUCT FEATURES

- Large WLL range 0.63 t–8 t.
- PP-S: universal connection with hook for ring suspensions, round slings, wire ropes, hook suspensions.
- PP-B: eye connection for hook suspension.
- PP-VIP: direct chain connection.
- So-PP-S, So-PP-B, So-PP-VIP: variable thread lengths.
- Rotatable 90° to the bolt-on direction under WLL.
- Lowest kinking possibility due to cardan joint.
- PP-VIP, So-PP-VIP: universal and non-mix-up clevis connection for easy construction with chains, hooks and eye.
- PP-S, So-PP-S: The shape of the hook tip prevents hinging in small openings and the WLL on the hook tip.
- PP-S: Robust forged safety latch.



✓ Tested and certified by DGUV.
Test criteria: GS-OA-15-04: 2015-12
Certificate no.: OA 1951040

- 360° rotatable, 230° pivotable.
- Double ball bearing for tilting, rotating and turning under load.
- Universal, non-mix-up VIP connection for chains, hooks and eyes.

PP-S / PP-B / PP-VIP

Metric thread.

PP-S – POWERPOINT – STAR UNIVERSAL CONNECTION – METRIC.

Type	WLL [t]	Weight (kg/unit)	T [mm]	A [mm]	B [mm]	C [mm]	D [mm]	E [mm]	F [mm]	G [mm]	M	N [mm]	Tightening torque [Nm]	Ref. No.
PP-S-0.63t-M12	0.63	0.4	116	13	75	18	40	36	18	41	M12	-	10	7990719
PP-S-1.5t-M16	1.5	0.9	146	20	97	25	46	41	24	50	M16	-	30	7989719
PP-S-2.5t-M20	2.5	1.7	187	28	126	30	61	55	30	61	M20	-	70	7989075
PP-S-4t-M24	4	3.5	227	36	150	35	78	70	36	77	M24	-	150	7989076
PP-S-5t-M30	5 (6.7) ¹	7.5	267	37	174	40	95	85	45	93	M30	-	225	7989720
PP-S-8t-M36	8 (10) ¹	9.2	310	49	208	48	100	90	54	102	M36	-	410	7989077

¹ () = Higher WLL with axial load.

Subject to technical changes!

PP-B – POWERPOINT – EYE CONNECTION – METRIC.

Type	WLL [t]	Weight (kg/unit)	T [mm]	A [mm]	B [mm]	C [mm]	D [mm]	E [mm]	F [mm]	G [mm]	M	N [mm]	Tightening torque [Nm]	Ref. No.
PP-B-0.63t-M12	0.63	0.35	106	9	65	35	40	36	18	41	M12	15	10	7989522
PP-B-1.5t-M16	1.5	0.6	115	11	65	35	46	41	24	49	M16	15	30	7989523
PP-B-2.5t-M20	2.5	1.1	136	13	75	40	61	55	30	61	M20	18	70	7989081
PP-B-4t-M24	4	2.4	172	16	95	45	78	70	36	77	M24	20	150	7989082
PP-B-5t-M30	5 (6.7) ¹	5.2	223	21	130	60	95	85	45	93	M30	25	225	7989524
PP-B-8t-M36	8 (10) ¹	6.3	242	24	140	65	100	90	54	102	M36	28	410	7989083

¹ () = Higher WLL with axial load.

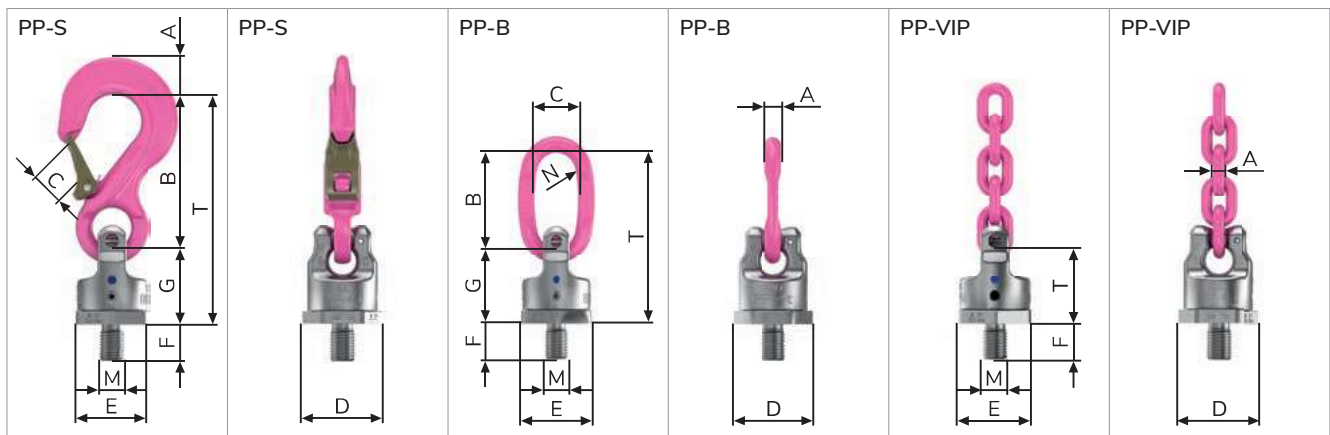
Subject to technical changes!

PP-VIP – POWERPOINT – DIRECT VIP-CHAIN CONNECTION – METRIC.

Type	WLL [t]	Weight (kg/unit)	T [mm]	A [mm]	B [mm]	C [mm]	D [mm]	E [mm]	F [mm]	G [mm]	M	N [mm]	Tightening torque [Nm]	Ref. No.
PP-VIP4-0.63t-M12	0.63	0.25	41	4	-	-	40	36	18	-	M12	-	10	7989525
PP-VIP6-1.5t-M16	1.5	0.45	49	6	-	-	46	41	24	-	M16	-	30	7989526
PP-VIP8-2.5t-M20	2.5	0.95	61	8	-	-	61	55	30	-	M20	-	70	7989527
PP-VIP10-4t-M24	4	2.2	77	10	-	-	78	70	36	-	M24	-	150	7989528
PP-VIP13-5t-M30	5 (6.7) ¹	3.5	93	13	-	-	95	85	45	-	M30	-	225	7989529
PP-VIP16-8t-M36	8 (10) ¹	4.7	102	16	-	-	100	90	54	-	M36	-	410	7989530

¹ () = Higher WLL with axial load.

Subject to technical changes!



PP-S / PP-B / PP-VIP

UNC inch thread.

PP-S – POWERPOINT – STAR UNIVERSAL CONNECTION – UNC INCH THREAD.

Type	WLL [t]	Weight (kg/unit)	T [mm]	A [mm]	B [mm]	C [mm]	D [mm]	E [mm]	F [mm]	G [mm]	M	N [mm]	Tightening torque [Nm]	Ref. No.
PP-S-0.63 t-1/2"-13UNC	0.63	0.4	116	13	75	18	40	36	18	41	1/2"-13UNC	-	10	8600581
PP-S-1.5 t-5/8"-11UNC	1.5	0.9	146	20	97	25	46	41	25	49	5/8"-11UNC	-	30	8600582
PP-S-2.5 t-3/4"-10UNC	2.5	1.7	187	28	126	30	61	55	30	61	3/4"-10UNC	-	70	8600583
PP-S-2.5 t-7/8"-9UNC	2.5	1.7	187	28	126	30	61	55	30	61	7/8"-9UNC	-	70	8600583
PP-S-4 t-1"-8UNC	4	3.5	227	36	150	35	78	70	36	77	1"-8UNC	-	150	8600584
PP-S-5 t-1 1/4"-7UNC	5 (6.7) ¹	7.5	267	37	174	40	95	85	45	93	1 1/4"-7UNC	-	225	8600585
PP-S-8 t-1 1/2"-6UNC	8 (10) ¹	9.2	310	49	208	48	100	90	54	102	1 1/2"-6UNC	-	410	8600526

¹ () = Higher WLL with axial load.

Subject to technical changes!

PP-B – POWERPOINT – EYE CONNECTION – UNC INCH THREAD.

Type	WLL [t]	Weight (kg/unit)	T [mm]	A [mm]	B [mm]	C [mm]	D [mm]	E [mm]	F [mm]	G [mm]	M	N [mm]	Tightening torque [Nm]	Ref. No.
PP-B-0.63 t-1/2"-13UNC	0.63	0.35	106	9	65	35	40	36	18	41	1/2"-13UNC	15	10	8600591
PP-B-1.5 t-5/8"-11UNC	1.5	0.6	115	11	65	35	46	41	24	50	5/8"-11UNC	15	30	8600592
PP-B-2.5 t-3/4"-10UNC	2.5	1.1	136	13	75	40	61	55	30	61	3/4"-10UNC	18	70	8600593
PP-B-2.5 t-7/8"-9UNC	2.5	1.1	136	13	75	40	61	55	30	61	7/8"-9UNC	18	70	8600593
PP-B-4 t-1"-8UNC	4	2.4	172	16	95	45	78	70	36	77	1"-8UNC	20	150	8600594
PP-B-5 t-1 1/4"-7UNC	5 (6.7) ¹	5.2	223	21	130	60	95	85	45	93	1 1/4"-7UNC	25	225	8600595
PP-B-8 t-1 1/2"-6UNC	8 (10) ¹	6.3	242	24	140	65	100	90	54	102	1 1/2"-6UNC	28	410	8600566

¹ () = Higher WLL with axial load.

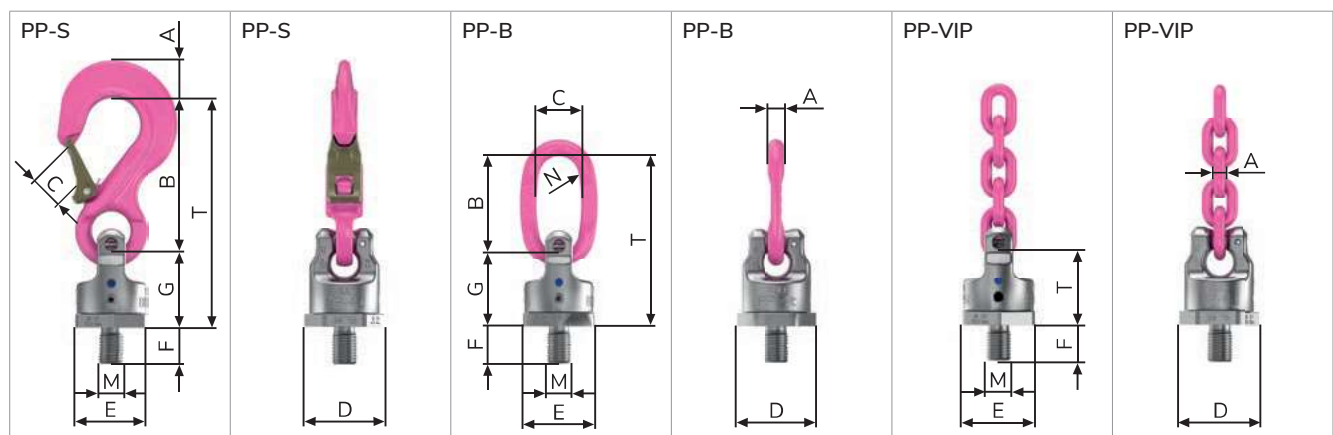
Subject to technical changes!

PP-VIP – POWERPOINT – DIRECT VIP-CHAIN CONNECTION – UNC INCH THREAD.

Type	WLL [t]	Weight (kg/unit)	T [mm]	A [mm]	B [mm]	C [mm]	D [mm]	E [mm]	F [mm]	G [mm]	M	N [mm]	Tightening torque [Nm]	Ref. No.
PP-VIP4-0.63 t-1/2"-13UNC	0.63	0.25	41	4	-	-	40	36	18	-	1/2"-13UNC	-	10	8600571
PP-VIP6-1.5 t-5/8"-11UNC	1.5	0.45	49	6	-	-	46	41	24	-	5/8"-11UNC	-	30	8600572
PP-VIP8-2.5 t-3/4"-10UNC	2.5	0.95	61	8	-	-	61	55	30	-	3/4"-10UNC	-	70	8600573
PP-VIP8-2.5 t-7/8"-9UNC	2.5	1	61	8	-	-	61	55	30	-	7/8"-9UNC	-	70	8600573
PP-VIP10-4 t-1"-8UNC	4	2.2	77	10	-	-	78	70	36	-	1"-8UNC	-	150	8600574
PP-VIP13-5 t-1 1/4"-7UNC	5 (6.7) ¹	3.5	93	13	-	-	95	85	45	-	1 1/4"-7UNC	-	225	8600575
PP-VIP16-8 t-1 1/2"-6UNC	8 (10) ¹	4.7	102	16	-	-	100	90	54	-	1 1/2"-6UNC	-	410	8600305

¹ () = Higher WLL with axial load.

Subject to technical changes!



Other thread dimensions/thread types (e.g. UNF, BSW, pipe thread ...) available on request.

VCÖH / VIP-OVAL LINK

VIP-Cobra-eye hooks / VIP-Oval link.

VCÖH – VIP-COBRA-EYE HOOKS FOR POWERPOINT.

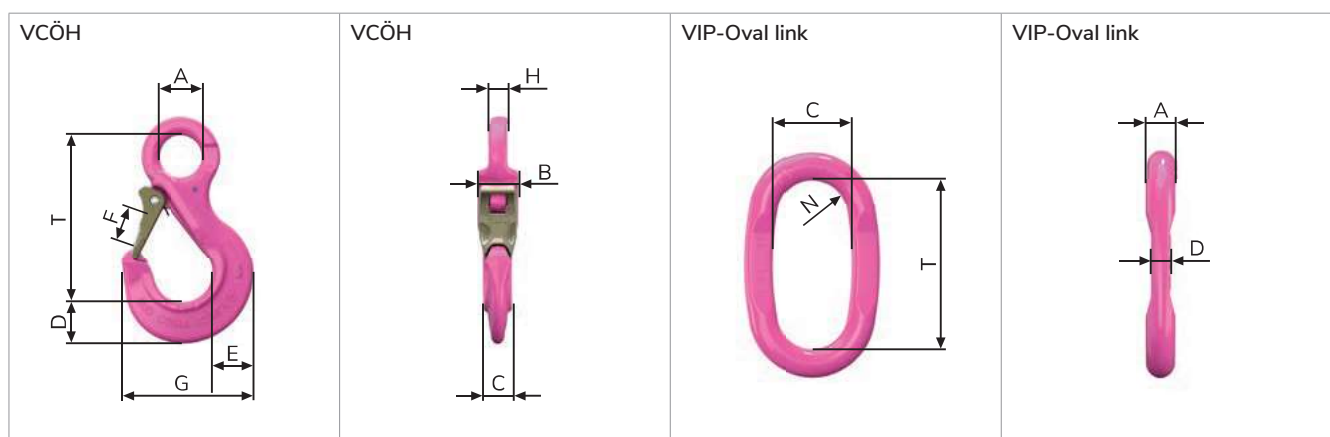
Type	WLL [t]	Weight (kg/unit)	T [mm]	A [mm]	B [mm]	C [mm]	D [mm]	E [mm]	F [mm]	G [mm]	H [mm]	M	Ref. No.
VCÖH 4	0.63	0.14	75	18	18	12	13	14	18	52	8	M12 / 1/2"-13UNC	8502323
VCÖH 6	1.5	0.5	97	24	20	16	22	24	25	73	11	M16 / 5/8"-11UNC	8502203
VCÖH 8	2.5	0.8	126	32	28	20	28	31	30	95	13	M20 / 3/4"-10UNC / 7/8"-9UNC	8502142
VCÖH 10	4	1.58	150	38	36	26	36	39	35	118	17	M24 / 1"-8UNC	8502145
VCÖH 13	6.7	2.9	174	48	45	30	37	48	40	135	21	M30 / 1 1/4"-7UNC	8502204
VCÖH 16	10	4.2	208	63	56	36	49	58	48	161	27	M36 / 1 1/2"-6UNC	8502146

Subject to technical changes!

VIP-OVAL LINK FOR POWERPOINT.

Type	WLL [t]	Weight (kg/unit)	T [mm]	A [mm]	C [mm]	D [mm]	M	N [mm]	Ref. No.
PP 0.63t-B	0.63	0.1	65	9	35	4	M12 / 1/2"-13UNC	15	7989531
PP 1.5t-B	1.5	0.13	65	11	35	6	M16 / 5/8"-11UNC	15	8502173
PP 2.5t-B	2.5	0.22	75	13	40	8	M20 / 3/4"-10UNC / 7/8"-9UNC	18	8502174
PP 4t-B	4	0.42	95	16	45	10	M24 / 1"-8UNC	20	8502175
PP-VIP13-B	6.7	1	130	21	60	13	M30 / 1 1/4"-7UNC	25	8502176
PP-VIP16-B	10	1.4	140	24	65	16	M36 / 1 1/2"-6UNC	28	8502177

Subject to technical changes!



SO-PP-VIP

Metric thread / metric fine thread.

SO-PP-VIP¹ – SPECIAL POWERPOINT – VIP-CHAIN CONNECTION – METRIC IN VARIABLE LENGTH.

Type	WLL [t]	Weight (kg/unit)	T [mm]	A [mm]	D [mm]	E [mm]	F vario [mm]	M	Tightening torque [Nm]	Ref. No.
So-PP-VIP4-0.6 t-M12	0.6 (0.63) ²	³	47	4	42	36	12-140	M12	10	8600320
So-PP-VIP6-1 t-M14	1 (1.5) ²	³	58	6	48	41	14-160	M14	25	8600326
So-PP-VIP6-1.3 t-M16	1.3 (1.5) ²	³	58	6	48	41	16-180	M16	30	8600321
So-PP-VIP8-2 t-M20	2 (2.5) ²	³	73	8	61	55	20-224	M20	70	8600322
So-PP-VIP8-2 t-M22	2 (2.5) ²	³	73	8	61	55	22-94	M22	70	8600322
So-PP-VIP10-3.5 t-M24	3.5 (4) ²	³	94	10	81	70	24-255	M24	150	8600323
So-PP-VIP10-3.5 t-M27	3.5 (4) ²	³	94	10	81	70	27-92	M27	200	8600323
So-PP-VIP13-5 t-M30	5 (6.7) ²	³	108	13	99	85	30-330	M30	225	8600324
So-PP-VIP16-8 t-M36	8 (10) ²	³	100	16	100	90	36-300	M36	410	8600305
So-PP-VIP16-8 t-M39	8 (10) ²	³	100	16	100	90	39-300	M39	410	8600305
So-PP-VIP16-8 t-M42	8 (10) ²	³	100	16	100	90	42-300	M42	410	8600305

¹ So-PP can also be installed with eye hook as So-PP-S or with link as So-PP-B.

² () = Higher WLL with axial load.

³ Weight depends on the design.

Subject to technical changes!

SO-PP-VIP¹ – SPECIAL POWERPOINT – VIP-CHAIN CONNECTION – METRIC FINE THREAD IN VARIABLE LENGTH.

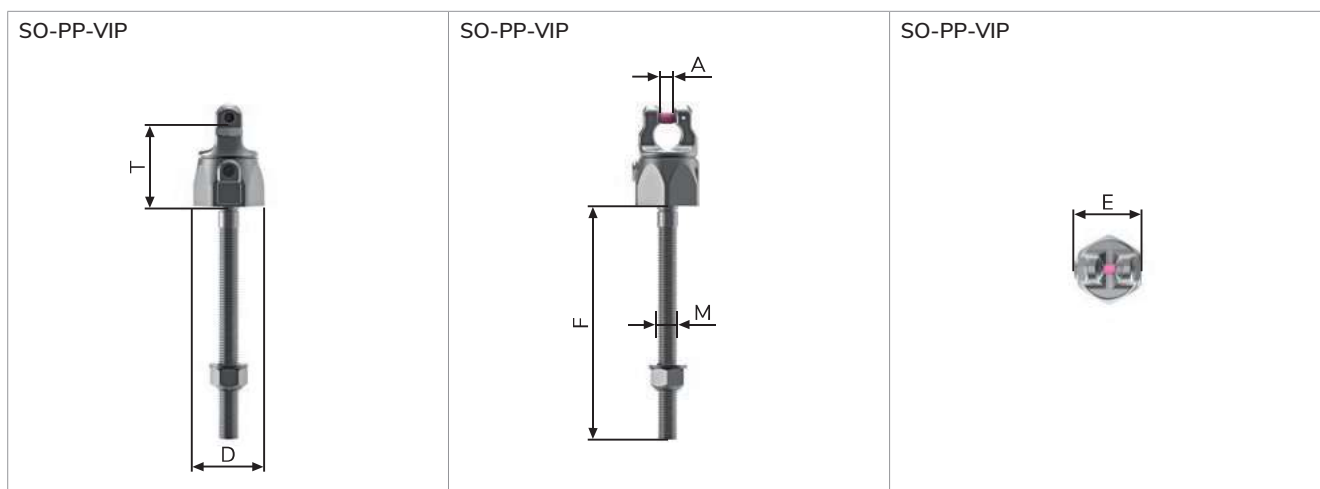
Type	WLL [t]	Weight (kg/unit)	T [mm]	A [mm]	D [mm]	E [mm]	F vario [mm]	M	Tightening torque [Nm]	Ref. No.
So-PP-VIP4-0.6 t-M12 × 1.5	0.6 (0.63) ²	³	47	4	42	36	12-55	M12 × 1.5	10	8600320
So-PP-VIP6-1 t-M14 × 1.5	1 (1.5) ²	³	58	6	48	41	14-65	M14 × 1.5	25	8600326
So-PP-VIP6-1.3 t-M16 × 1.5	1.3 (1.5) ²	³	58	6	48	41	16-70	M16 × 1.5	30	8600321
So-PP-VIP8-2 t-M20 × 1.5	2 (2.5) ²	³	73	8	61	55	20-89	M20 × 1.5	70	8600322
So-PP-VIP10-3.5 t-M24 × 1.5	3.5 (4) ²	³	94	10	81	70	24-95	M24 × 1.5	150	8600323
So-PP-VIP13-5 t-M30 × 2	5 (6.7) ²	³	108	13	99	85	30-125	M30 × 2	225	8600324

¹ So-PP can also be installed with eye hook as So-PP-S or with link as So-PP-B.

² () = Higher WLL with axial load.

³ Weight depends on the design.

Subject to technical changes!



VWBG-KA / SO-PP-VIP-UNC

Direct VIP-chain connection / UNC inch thread.

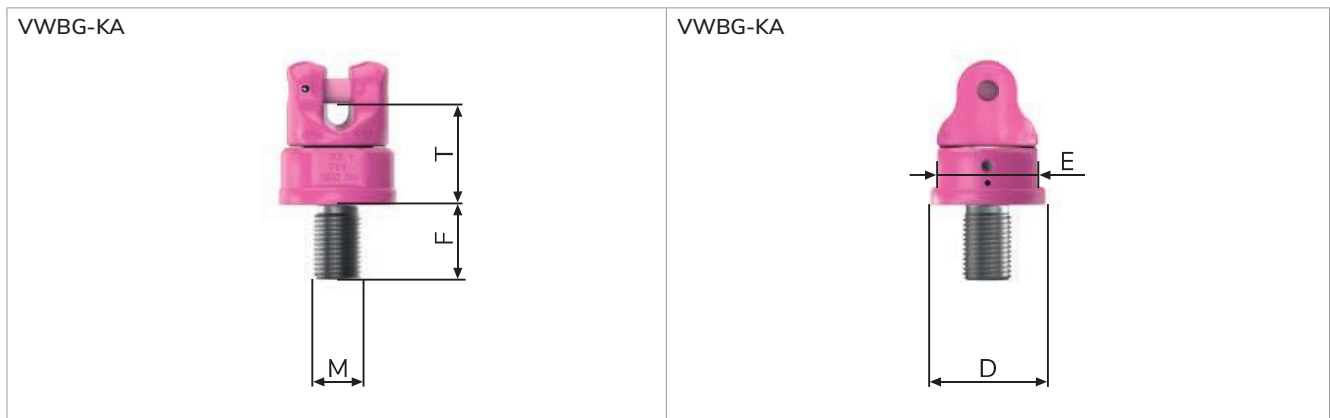
VWBG-KA DIRECT VIP-CHAIN CONNECTION – METRIC / UNC INCH THREAD.

Type	WLL [t]	Weight (kg/unit)	T [mm]	A [mm]	D [mm]	E [mm]	F vario [mm]	M	Tightening torque [Nm]	Ref. No.
VWBG-KA-28 ¹	31.5	26.4	146	–	170	145	108	M72	1.200	7903437
So-VWBG-KA-28 ¹	31.5	³	146	–	170	145	72–300	M72–M76	1.200	8600239
So-VWBG-KA-28 ¹	31.5	³	146	–	170	145	72–300	3"-4UNC	1.200	8600239

¹ Pivoting area 180°.

³ Weight depends on the design.

Subject to technical changes!



SO-PP-VIP-UNC¹ – SPECIAL POWERPOINT – VIP-CHAIN CONNECTION – UNC INCH THREAD IN VARIABLE LENGTH.

Type	WLL [t]	Weight (kg/unit)	T [mm]	A [mm]	D [mm]	E [mm]	F vario [mm]	M	Tightening torque [Nm]	Ref. No.
So-PP-VIP4-0.6t-1/2"-13UNC	0.6 (0.63) ²	³	47	4	42	36	40–149	1/2"-13UNC	10	8600320
So-PP-VIP6-1t-5/8"-11UNC	1 (1.5) ²	³	58	6	48	41	50–180	5/8"-11UNC	25	8600321
So-PP-VIP8-2t-3/4"-10UNC	2 (2.5) ²	³	73	8	61	55	56–222	3/4"-10UNC	70	8600322
So-PP-VIP10-3.5t-1"-8UNC	3.5 (4) ²	³	94	10	81	70	25–74	1"-8UNC	150	8600323
So-PP-VIP13-5t-1 1/4"-7UNC	5 (6.7) ²	³	108	13	99	85	31–91	1 1/4"-7UNC	225	8600324

¹ So-PP can also be installed with eye hook as So-PP-S or with link as So-PP-B.

² () = Higher WLL with axial load.

³ Weight depends on the design.

Subject to technical changes!

