

MODEL SCPA

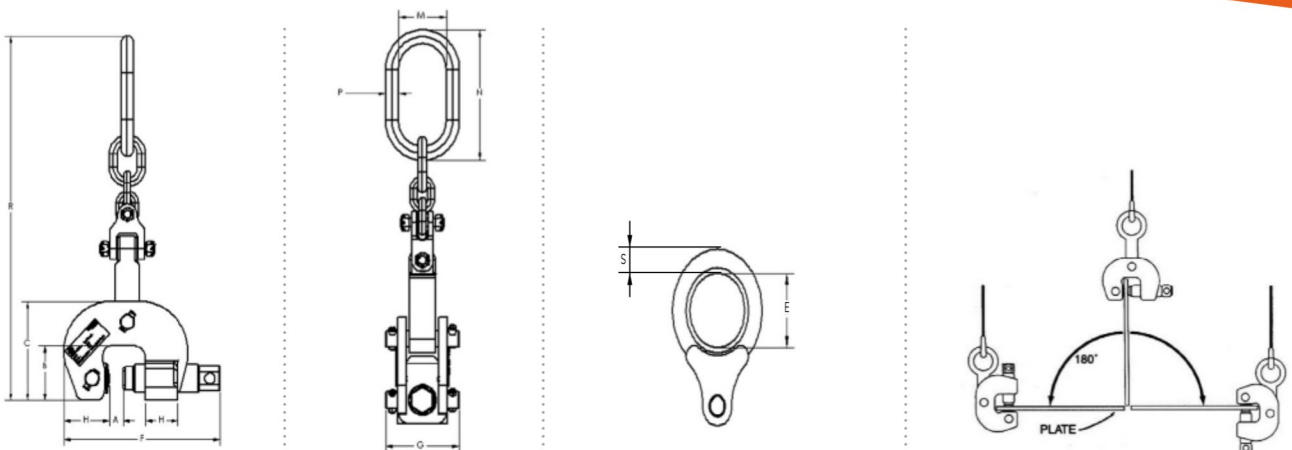
CLASS

B 4

LOCKING, SCREW TYPE

The SCPA clamp is capable of handling steel plate from horizontal to vertical to horizontal through a 180 degree arc and may be used for handling plate at rolling and forming machines. Each clamp is given a RFID transponder as standard, for simplified inspection and documentation.

These clamps feature a spring loaded pivoting cam jaw that “cams in” when a load is applied to the lifting shackle. Clamp is capable of handling plate horizontally when used in pairs or sets of pairs, or in a tripod arrangement. Pivoting shackle assembly, as shown, is available on capacities 3 tons and larger.



Type	Mat. no.	W.L.L.	Kg	A (mm)	B (mm)	C (mm)	E (mm)	F (mm)	G (mm)	H (mm)	M (mm)	N (mm)	P (mm)	R (mm)	S (mm)
SCPA 0,5 t	8505477	0,5 t	3,62	0-19	60,33	114,30	44,50	168,28	60,33	47,63	---	---	---	309,56	14,29
SCPA 1,5 t	8505479	1,5 t	6,8	0-32	73,03	139,70	51,00	214,31	85,73	60,33	---	---	---	360,36	17,46
SCPA 3 t	8505480	3 t	10,9	0-51	79,38	146,05	---	274,64	103,19	71,44	76,2	152,40	19,00	542,93	---