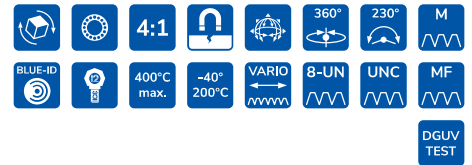


VWBG-V / VWBG

VIP-load ring thread VARIO /
VIP-load ring thread.



VWBG-V

VWBG

PRODUCT FEATURES

- Large WLL range 0.3 t–5 t / 6 t–50 t
- Clear indication of the minimum WLL for all loading directions. Higher WLL by optimised attachment or application.
- Rotatable 90° to the bolt-on direction under rated WLL.
- Variable bolt lengths available for use in threaded and through holes.
- VWBG-V: Non-removable special bolt (do not use unsuitable standard screws).
- VWBG-V: RUD bolts with special corrosion protection Corrud-DT.
- Large clearance between the bolt-on surface and load to prevent damage.

<p>Ball-bearing.</p>	<p>Rotatable through 360°.</p> <p>Extended pivoting area ~230°.</p>	<p>Patented wear marker.</p> <p>Ready to be discarded.</p> <p>New.</p>
<p>WLL X</p> <p>X</p> <p>WLL</p>	<p>WLL Y</p> <p>Y</p> <p>>1X</p> <p>WLL</p>	<p>WLL Z</p> <p>Z</p> <p>up to 2X</p> <p>WLL</p>



✓ VWBG-V: Tested and certified by DGUV.
 Test criteria: GS-OA-15-04: 2015-12
 Certificate no.: OA 1651056
 VWBG corresponds with the test criteria:
 GS-OA-15-04

- 360° rotatable, 230° pivotable.
- Ball bearing for shock-free and less friction when rotating and turning.
- Optical markings to determine the load angle and wear occurrence.

VWBG-V / VWBG

Metric thread.

VWBG-V LOAD RING – METRIC.

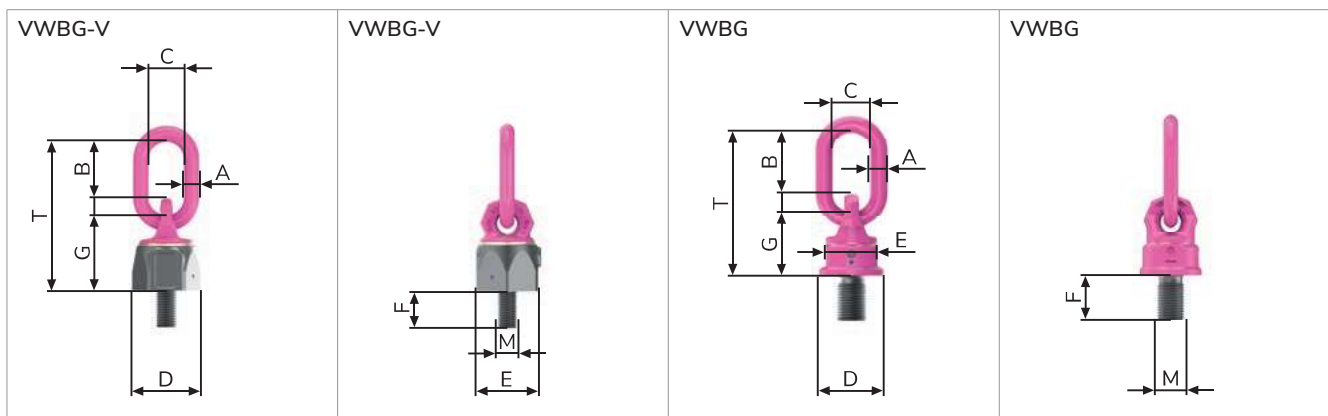
Type	WLL-X [t]	WLL-Y [t]	WLL-Z [t]	Weight (kg/unit)	T [mm]	A [mm]	B [mm]	C [mm]	D [mm]	E [mm]	F [mm]	G [mm]	M	Tightening torque [Nm]	Ref. No.
VWBG-V 0.3-M8	0.3	0.4	0.6	0.18	76	8	31	29	30	27	13	36	M8	10	7103720
VWBG-V 0.45-M10	0.45	0.6	0.9	0.29	78	8	31	29	33.5	30	17	38	M10	10	7103715
VWBG-V 0.6-M12	0.6	0.75	1.2	0.41	107	10	49	35	42	36	21	47	M12	10	7100180
VWBG-V 1-M14 (F=21)	1	1.25	2	0.63	114	13	46	38	48	41	21	56	M14	25	7910221
VWBG-V 1.3-M16	1.3	1.5	2.6	0.59	114	13	46	38	48	41	25	56	M16	30	7100430
VWBG-V 1.8-M18 (F=27)	1.8	2	3.6	1.18	137	13	54	35	62	55	27	67	M18	50	8600338
VWBG-V 2-M20	2	2.5	4	1.42	137	13	54	35	62	55	33	67	M20	70	7100800
VWBG-V 2-M22 (F=33)	2	2.5	4	1.45	137	13	54	35	62	55	33	67	M22	120	8600334
VWBG-V 3.5-M24	3.5	4	7	2.63	173	18	66	40	81	70	40	88	M24	150	7100640
VWBG-V 3.5-M27 (F=41)	3.5	4	7	2.65	173	18	66	40	81	70	41	88	M27	200	8600335
VWBG-V 5-M30	5	6	10	5.09	221	22	90	50	99	85	50	106	M30	225	7100650

Subject to technical changes!

VWBG LOAD RING – METRIC.

Type	WLL-X [t]	WLL-Y [t]	WLL-Z [t]	Weight (kg/unit)	T [mm]	A [mm]	B [mm]	C [mm]	D [mm]	E [mm]	F [mm]	G [mm]	M	Tightening torque [Nm]	Ref. No.
VWBG 6(7,5) t-M33 (F=50)	6	7.5	15	4.7	208	22	86	50	90	80	50	94	M33	350	8600150
VWBG 8(10) t-M36	8	10	15	4.7	208	22	86	50	90	80	54	94	M36	410	7999059
VWBG 12(13) t-M42	12	13	17	6.1	234	26	111	65	98	85	63	95	M42	550	7999044
VWBG 12(15) t-M45	12	15	18	6.2	234	26	111	65	98	85	67	95	M45	550	7900455
VWBG 13(16) t-M48	13	16	18	6.8	234	26	111	65	98	85	68	95	M48	550	7999045
VWBG 14(20) t-M52	14	20	25	10.6	271	32	119	70	120	95	78	120	M52	750	7901081
VWBG 16(22) t-M56	16	22	28	10.7	271	32	119	70	120	95	84	120	M56	800	7999004
VWBG 16(22) t-M60 (F=90)	16	22	28	11.4	271	32	119	70	120	95	90	120	M60	800	8600454
VWBG 16(25) t-M64	16	25	28	11.4	271	32	119	70	120	95	94	120	M64	800	7999043
VWBG 31.5(40) t-M72	31.5	40	50	30	338	46	130	90	170	145	108	159	M72	1.200	7900097
VWBG 35(48) t-M80	35	48	50	31	338	46	130	90	170	145	120	159	M80	1.500	7900100
VWBG 40(50) t-M90	40	50	50	35	378	46	168	110	170	145	135	159	M90	2.000	7903408
VWBG 40(50) t-M100 (F=150)	40	50	50	37	378	46	168	110	170	145	150	159	M100	2.000	8600458

Subject to technical changes!



VWBG-V / VWBG

Metric thread in variable length.

VWBG-V LOAD RING – METRIC IN VARIABLE LENGTH.

Type	WLL-X [t]	WLL-Y [t]	WLL-Z [t]	Weight (kg/unit)	T [mm]	A [mm]	B [mm]	C [mm]	D [mm]	E [mm]	F vario [mm]	G [mm]	M	Tightening torque [Nm]	Ref. No.
VWBG-V 0.3-M8	0.3	0.4	0.6	¹	76	8	31	29	30	27	8-102	36	M8	10	8600330
VWBG-V 0.45-M10	0.45	0.6	0.9	¹	78	8	31	29	33.5	30	10-122	38	M10	10	8600331
VWBG-V 0.6-M12	0.6	0.75	1.2	¹	107	10	49	35	42	36	12-140	47	M12	10	8600332
VWBG-V 1-M14	1	1.25	2	¹	114	13	46	38	48	41	14-160	56	M14	25	8600337
VWBG-V 1.3-M16	1.3	1.5	2.6	¹	114	13	46	38	48	41	16-180	56	M16	30	8600333
VWBG-V 1.8-M18	1.8	2	3.6	¹	137	13	54	35	62	55	18-83	67	M18	50	8600338
VWBG-V 2-M20	2	2.5	4	¹	137	13	54	35	62	55	20-223	67	M20	70	8600334
VWBG-V 2-M22	2	2.5	4	¹	137	13	54	35	62	55	22-94	67	M22	120	8600334
VWBG-V 3.5-M24	3.5	4	7	¹	173	18	66	40	81	70	24-255	88	M24	150	8600335
VWBG-V 3.5-M27	3.5	4	7	¹	173	18	66	40	81	70	27-92	88	M27	200	8600335
VWBG-V 5-M30	5	6	10	¹	221	22	90	50	99	85	30-330	106	M30	225	8600336

¹ Weight depends on the design.

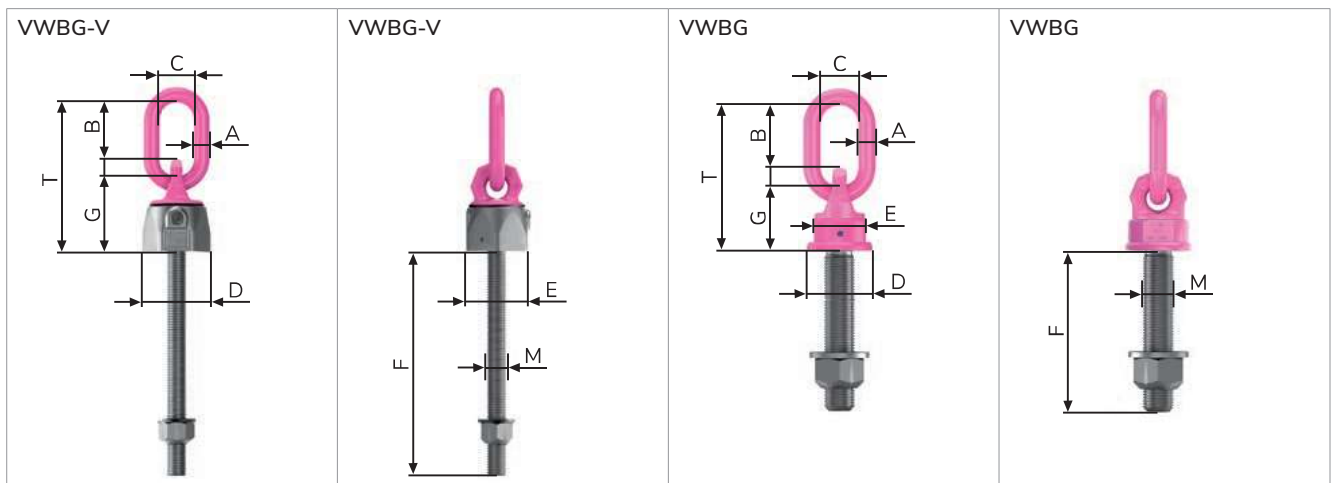
Subject to technical changes!

VWBG LOAD RING – METRIC IN VARIABLE LENGTH.

Type	WLL-X [t]	WLL-Y [t]	WLL-Z [t]	Weight (kg/unit)	T [mm]	A [mm]	B [mm]	C [mm]	D [mm]	E [mm]	F vario [mm]	G [mm]	M	Tightening torque [Nm]	Ref. No.
VWBG 6(7.5) t	6	7.5	15	¹	208	22	86	50	90	80	33-300	94	M33	350	8600150
VWBG 8(10) t	8	10	15	¹	208	22	86	50	90	80	36-300	94	M36-M39	410	8600451
VWBG 12(13) t	12	13	17	¹	234	26	111	65	98	85	42-300	95	M42-M45	550	8600452
VWBG 13(16) t	13	16	18	¹	234	26	111	65	98	85	48-300	95	M48-M52	550	8600453
VWBG 14(20) t	14	20	25	¹	271	32	119	70	120	95	52-300	120	M52	750	8600158
VWBG 16(22) t	16	22	28	¹	271	32	119	70	120	95	56-300	120	M56-M60	800	8600454
VWBG 16(25) t	16	25	28	¹	271	32	119	70	120	95	64-300	120	M64-M76	800	8600455
VWBG 31.5(40) t	31.5	40	50	¹	338	46	130	90	170	145	72-300	159	M72-M76	1.200	8600456
VWBG 35(48) t	35	48	50	¹	338	46	130	90	170	145	80-300	159	M80-M85	1.500	8600457
VWBG 40(50) t	40	50	50	¹	378	46	168	110	170	145	90-300	159	M90-M150	2.000	8600458

¹ Weight depends on the design.

Subject to technical changes!



VWBG-V / VWBG

Metric fine thread in variable length.

VWBG-V LOAD RING – METRIC FINE THREAD IN VARIABLE LENGTH.

Type	WLL-X [t]	WLL-Y [t]	WLL-Z [t]	Weight (kg/unit)	T [mm]	A [mm]	B [mm]	C [mm]	D [mm]	E [mm]	F vario [mm]	G [mm]	M	Tightening torque [Nm]	Ref. No.
VWBG-V 0.6-M12 × 1.5	0.6	0.75	1.2	¹	107	10	49	35	42	36	12-55	47	M12 × 1.5	10	8600332
VWBG-V 1-M14 × 1.5	1	1.25	2	¹	114	13	46	38	48	41	14-65	56	M14 × 1.5	25	8600337
VWBG-V 1.3-M16 × 1.5	1.3	1.5	2.6	¹	114	13	46	38	48	41	16-70	56	M16 × 1.5	30	8600333
VWBG-V 1.8-M18 × 1.5	1.8	2	3.6	¹	137	13	54	35	62	55	18-83	67	M18 × 1.5	50	8600338
VWBG-V 2-M20 × 1.5	2	2.5	4	¹	137	13	54	35	62	55	20-88	67	M20 × 1.5	70	8600334
VWBG-V 3.5-M24 × 1.5	3.5	4	7	¹	173	18	66	40	81	70	24-97	88	M24 × 1.5	150	8600335
VWBG-V 3.5-M24 × 2	3.5	4	7	¹	173	18	66	40	81	70	24-42	88	M24 × 1.5	150	8600335
VWBG-V 5-M30 × 2	5	6	10	¹	221	22	90	50	99	85	30-125	106	M30 × 2	225	8600336

¹ Weight depends on the design.

Subject to technical changes!

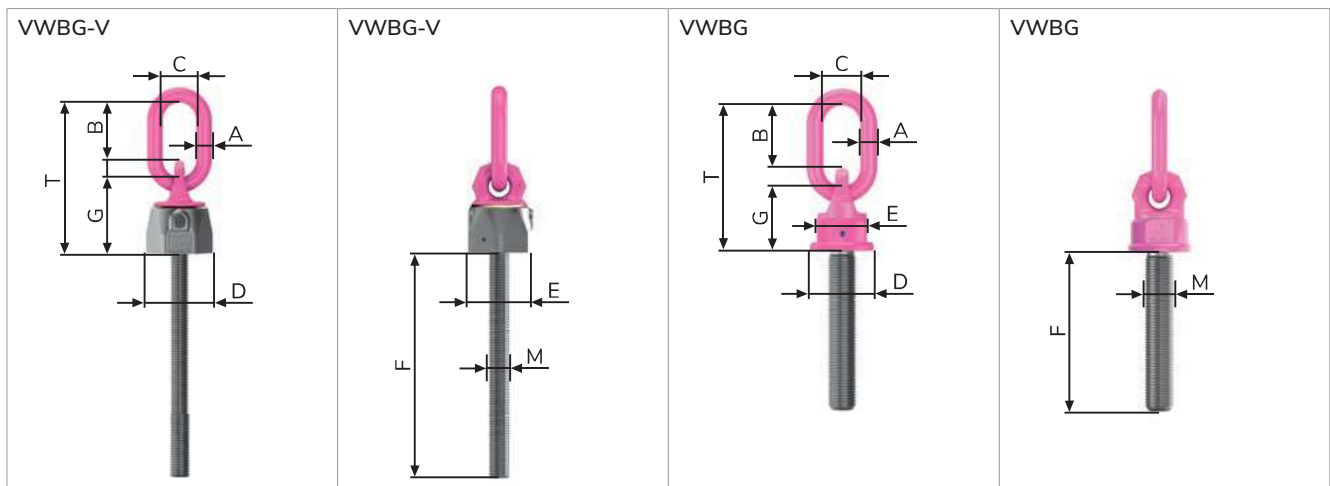
VWBG LOAD RING – METRIC FINE THREAD IN VARIABLE LENGTH.

Type	WLL-X [t]	WLL-Y [t]	WLL-Z [t]	Weight (kg/unit)	T [mm]	A [mm]	B [mm]	C [mm]	D [mm]	E [mm]	F vario [mm]	G [mm]	M	Tightening torque [Nm]	Ref. No.
VWBG 6(7.5) t-M33 × 2	6	7.5	15	¹	208	22	86	50	90	80	33-300	94	M33 × 2	350	8600150
VWBG 8(10) t-M36 × 3	8	10	15	¹	208	22	86	50	90	80	36-300	94	M36 × 3	410	8600451
VWBG 12(13) t-M42 × 3	12	13	17	¹	234	26	111	65	98	85	42-300	95	M42 × 3	550	8600452
VWBG 13(16) t-M48 × 3	13	16	18	¹	234	26	111	65	98	85	48-300	95	M48 × 3	550	8600453
VWBG 16(22) t-M56 × 4	16	22	28	¹	271	32	119	70	120	95	56-300	120	M56 × 4	800	8600454
VWBG 16(25) t-M64 × 4	16	25	28	¹	271	32	119	70	120	95	64-300	120	M64 × 4	800	8600455
VWBG 31.5(40) t-M72 × 4	31.5	40	50	¹	338	46	130	90	170	145	72-300	159	M72 × 4	1.200	8600456
VWBG 35(48) t-M80 × 4	35	48	50	¹	338	46	130	90	170	145	80-300	159	M80 × 4	1.500	8600457
VWBG 40(50) t-M90 × 4	40	50	50	¹	378	46	168	110	170	145	90-300	159	M90 × 4	2.000	8600458

¹ Weight depends on the design.

Subject to technical changes!

VWBG: further fine thread designs on request.



VWBG-V

UNC inch thread.

VWBG-V LOAD RING – UNC INCH THREAD.

Type	WLL-X [t]	WLL-Y [t]	WLL-Z [t]	Weight (kg/unit)	T [mm]	A [mm]	B [mm]	C [mm]	D [mm]	E [mm]	F [mm]	G [mm]	M	Tightening torque [Nm]	Ref. No.
VWBG-V 0.3-5/16"-18UNC	0.3	0.4	0.6	0.18	76	8	31	29	30	27	13	36	5/16"-18UNC	10	7991090
VWBG-V 0.45-3/8"-16UNC	0.45	0.6	0.9	0.29	78	8	31	29	33.5	30	17	38	3/8"-16UNC	10	7991091
VWBG-V 0.6-1/2"-13UNC	0.6	0.75	1.2	0.41	107	10	49	35	42	36	21	47	1/2"-13UNC	10	7991092
VWBG-V 1.3-5/8"-11UNC	1.3	1.5	2.6	0.52	114	13	46	38	48	41	29	56	5/8"-11UNC	30	7991093
VWBG-V 2-3/4"-10UNC	2	2.5	4	1.42	137	13	54	35	62	55	28	67	3/4"-10UNC	70	7991094
VWBG-V 3.5-1"-8UNC	3.5	4	7	2.63	173	18	66	40	81	70	38	88	1"-8UNC	150	7991095
VWBG-V 5-1 1/4"-7UNC	5	6	10	5.09	221	22	90	50	99	85	47	106	1 1/4"-7UNC	225	7991096

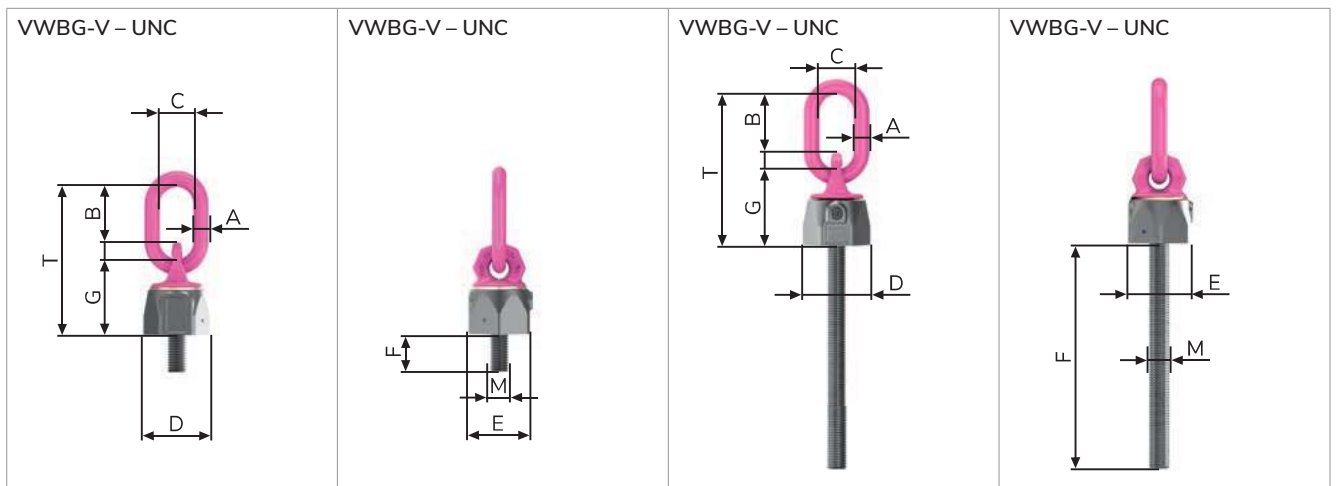
Subject to technical changes!

VWBG-V LOAD RING – UNC INCH THREAD IN VARIABLE LENGTH.

Type	WLL-X [t]	WLL-Y [t]	WLL-Z [t]	Weight (kg/unit)	T [mm]	A [mm]	B [mm]	C [mm]	D [mm]	E [mm]	F vario [mm]	G [mm]	M	Tightening torque [Nm]	Ref. No.
VWBG-V 0.45-3/8"-16UNC	0.45	0.6	0.9	¹	78	8	31	29	33.5	30	31-124	38	3/8"-16UNC	10	8600331
VWBG-V 0.6-1/2"-13UNC	0.6	0.75	1.2	¹	107	10	49	35	42	36	40-149	47	1/2"-13UNC	10	8600332
VWBG-V 1.3-5/8"-11UNC	1.3	1.5	2.6	¹	114	13	46	38	48	41	51-180	56	5/8"-11UNC	30	8600333
VWBG-V 2-3/4"-10UNC	2	2.5	4	¹	137	13	54	35	62	55	56-222	67	3/4"-10UNC	70	8600334
VWBG-V 3.5-1"-8UNC	3.5	4	7	¹	173	18	66	40	81	70	64-246	88	1"-8UNC	150	8600335
VWBG-V 5-1 1/4"-7UNC	5	6	10	¹	221	22	90	50	99	85	77-331	106	1 1/4"-7UNC	225	8600336

¹ Weight depends on the design.

Subject to technical changes!



VWBG

UNC inch thread /
BSW-Whitworth inch thread.

VWBG LOAD RING – UNC INCH THREAD IN VARIABLE LENGTH.

Type	WLL-X [t]	WLL-Y [t]	WLL-Z [t]	T [mm]	A [mm]	B [mm]	C [mm]	D [mm]	E [mm]	F vario [mm]	G [mm]	M	Tightening torque [Nm]	Ref. No.
VWBG 8(10) t-1 1/2"-6UNC (F=57)	8	10	15	208	22	86	50	90	80	36-300	94	1 1/2"-6UNC	410	8600451
VWBG 12(13) t-1 3/4"-5UNC (F=66)	12	13	17	234	26	111	65	98	85	42-300	95	1 3/4"-5UNC	550	8600452
VWBG 13(16) t-2"-4.5UNC (F=76)	13	16	18	234	26	111	65	98	85	48-300	95	2"-4.5UNC	550	8600453
VWBG 16(22) t-2 1/4"-4.5UNC (F=85)	16	22	28	271	32	119	70	120	95	56-300	120	2 1/4"-4.5UNC	800	8600454
VWBG 16(22) t-2 1/2"-4UNC (F=95)	16	22	28	271	32	119	70	120	95	56-300	120	2 1/2"-4UNC	800	8600454
VWBG 16(25) t-2 3/4"-4UNC (F=104)	16	25	28	271	32	119	70	120	95	64-300	120	2 3/4"-4UNC	800	8600455
VWBG 31.5(40) t-3"-4UNC (F=114)	31.5	40	50	338	46	130	90	170	145	72-300	159	3"-4UNC	1.200	8600456
VWBG 35(48) t-3 1/2"-4UNC (F=133)	35	48	50	338	46	130	90	170	145	80-300	159	3 1/2"-4UNC	1.500	8600457
VWBG 40(50) t-4"-4UNC (F=150)	40	50	50	378	46	168	110	170	145	90-300	159	4"-4UNC	2.000	8600458
VWBG 40(50) t-4 1/2"-4UNC (F=170)	40	50	50	378	46	168	110	170	145	90-300	159	4 1/2"-4UNC	2.000	8600458
VWBG 40(50) t-5"-4UNC (F=190)	40	50	50	378	46	168	110	170	145	90-300	159	5"-4UNC	2.000	8600458

Weight depends on the design.

Subject to technical changes!

VWBG LOAD RING – BSW-WHITWORTH INCH THREAD IN VARIABLE LENGTH.

Type	WLL-X [t]	WLL-Y [t]	WLL-Z [t]	T [mm]	A [mm]	B [mm]	C [mm]	D [mm]	E [mm]	F vario [mm]	G [mm]	M	Tightening torque [Nm]	Ref. No.
VWBG 8(10) t-1 1/2"-BSW (F=57)	8	10	15	208	22	86	50	90	80	36-300	94	1 1/2"-BSW	410	8600451
VWBG 12(13) t-1 3/4"-BSW (F=66)	12	13	17	234	26	111	65	98	85	42-300	95	1 3/4"-BSW	550	8600452
VWBG 13(16) t-2"-BSW (F=76)	13	16	18	234	26	111	65	98	85	48-300	95	2"-BSW	550	8600453
VWBG 16(22) t-2 1/4"-BSW (F=85)	16	22	28	271	32	119	70	120	95	56-300	120	2 1/4"-BSW	800	8600454
VWBG 16(22) t-2 1/2"-BSW (F=95)	16	22	28	271	32	119	70	120	95	56-300	120	2 1/2"-BSW	800	8600454
VWBG 16(25) t-2 3/4"-BSW (F=104)	16	25	28	271	32	119	70	120	95	64-300	120	2 3/4"-BSW	800	8600455
VWBG 31.5(40) t-3"-BSW (F=114)	31.5	40	50	338	46	130	90	170	145	72-300	159	3"-BSW	1.200	8600456
VWBG 35(48) t-3 1/2"-BSW (F=133)	35	48	50	338	46	130	90	170	145	80-300	159	3 1/2"-BSW	1.500	8600457
VWBG 40(50) t-4"-BSW (F=150)	40	50	50	378	46	168	110	170	145	90-300	159	4"-BSW	2.000	8600458
VWBG 40(50) t-4 1/2"-BSW (F=170)	40	50	50	378	46	168	110	170	145	90-300	159	4 1/2"-BSW	2.000	8600458
VWBG 40(50) t-5"-BSW (F=190)	40	50	50	378	46	168	110	170	145	90-300	159	5"-BSW	2.000	8600458

Weight depends on the design.

Subject to technical changes!

