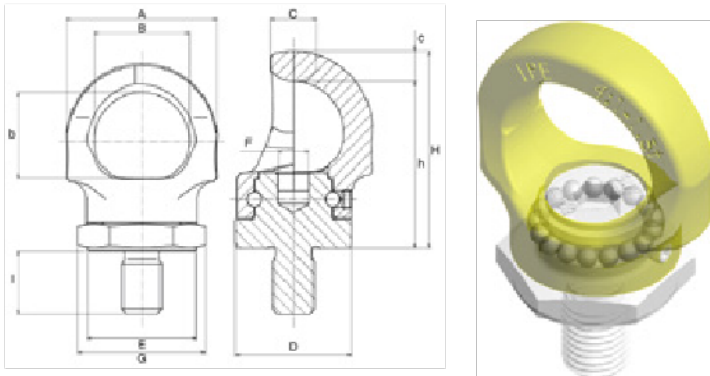


Gunnebo Industries LPE Lifting Point



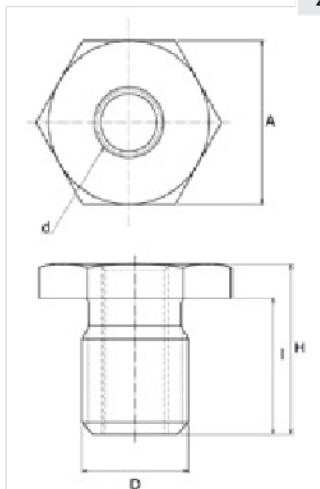
Stock No.	Code	I (Bolt Length in)	Dimensions (in)											Weight Each (lb)
			A	B	C	D	E	F	G	H	b	c	h	
Z103408	LPE-M8x1.25 GrabiQ	0.51	1.81	1.18	0.35	1.18	1.14	0.2	1.38	2.05	0.98	0.28	1.77	0.33
Z103410	LPE-M10x1.5 GrabiQ	0.63	1.81	1.18	0.35	1.18	1.14	0.2	1.38	2.05	0.98	0.28	1.77	0.35
Z103412	LPE-M12x1.75 GrabiQ	0.75	2.13	1.46	0.51	1.42	1.38	0.31	1.65	2.44	1.14	0.35	2.09	0.6
Z103416	LPE-M16x2 GrabiQ	0.98	2.44	1.57	0.67	1.61	1.54	0.39	1.85	2.76	1.3	0.43	2.32	1.19
Z103420	LPE-M20x2.5 GrabiQ	1.18	3.07	1.85	0.87	1.97	1.93	0.47	2.28	3.5	1.61	0.55	2.95	1.98
Z103424	LPE-M24x3 GrabiQ	1.42	3.5	2.2	1.02	2.56	2.52	0.67	2.95	4.25	1.93	0.67	3.58	3.7
Z103430	LPE-M30x3.5 GrabiQ	1.77	4.45	2.76	1.26	3.15	3.07	0.75	3.62	5	2.28	0.87	4.13	6.31



Gunnebo Industries LPV Screw Conversion Adaptor



Stock No.	Code	Bolt Thread	Dimensions (in)			Weight Each (lb)
			I (Bolt Length)	A	H	
Z103610	LPV-M10 / M20	M10 → M20	1.18	1.18	1.5	0.2
Z103612	LPV-M12 / M24	M12 → M24	1.38	1.42	1.73	0.33
Z103616	LPV-M16 / M30	M16 → M30	1.57	1.81	1.97	0.3
Z103620	LPV-M20 / M36	M20 → M36	1.97	2.17	2.44	0.99
Z103424	LPV-M24 / M42	M24 → M42	2.17	2.56	2.76	1.61
Z103430	LPV-M30 / M48	M30 → M48	2.36	2.95	2.95	2.07



LPE (M16)



LPE (M16) + LPV(M30)

