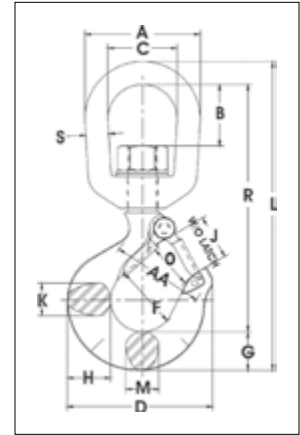


L-322CN / L-322AN



- Forged, Quenched & Tempered.
- Suitable for positioning of the hook before the load is lifted.
- Swivel hooks are load rated.
- Proper design, careful forging, and precision controlled quench and tempering gives maximum strength without excessive weight and bulk.
- Low profile hook tip designed to utilize Crosby S-4320 or PL-N latch kit.
- Hooks incorporate QUIC-CHECK® deformation and angle indicators. (For detailed information, see the Crosby Value Added page at the beginning of this section.)

Use in corrosive environment requires shank and nut inspection in accordance with ASME B30.10-1.10.4(b)(5)(c).



APPLICATION AND WARNING INFORMATION
SECTION 17

L-322CN / L-322AN Swivel Hooks with Latch

Working Load Limit (t)		Hook ID Code*	L-322CN Stock No.	L-322AN Stock No.	Weight Each (kg)	Dimensions (mm)														Rep. Latch Stock No.	
Carbon	Alloy					A	B	C	D	F	G	H	J	K	L	M	O †	R	S		AA*
0.75	1.25	D	1048603	1048807	.34	51.0	20.8	31.8	72.5	31.8	18.5	20.6	23.6	16.0	144	16.0	23.6	116	9.65	38.1	1096325
1	1.6	F	1048612	1048816	.57	63.5	33.3	38.1	80.0	35.1	21.3	23.9	24.6	18.0	170	18.0	24.6	136	12.7	50.8	1096374
1.6	2.5	G	1048621	1048825	1.02	76.0	38.1	44.5	91.0	38.1	25.4	29.5	26.9	22.4	197	22.4	26.9	155	16.0	50.8	1096421
2	3.2	H	1048630	1048834	1.04	76.0	38.1	44.5	102	41.1	28.7	33.3	30.2	23.9	210	23.9	29.5	165	16.0	50.8	1096468
3.2	5.4	I	1048639	1048840	2.25	89.0	41.7	50.8	123	51.0	36.6	41.4	38.1	33.3	246	28.7	35.8	191	19.1	63.5	1096515
5	8.0	J	1048648	1048859	4.67	116	58.0	63.5	160	63.5	46.0	52.5	45.2	42.2	317	36.6	42.9	245	25.4	76.2	1096562
7.5	11.5	K	1048657	1048868	8.80	127	62.0	70.0	192	76.0	57.0	67.0	51.0	47.8	375	41.4	56.5	289	28.7	101	1096609
10	16	L	1048666	1048880	10.5	143	63.0	79.0	212	82.5	66.0	74.5	66.5	55.5	417	49.3	61.0	311	31.8	101	1096657
15	22	N	1048675	1048889	21.3	180	95.5	104	263	108	76.0	89.0	86.5	68.5	542	60.5	81.0	424	38.1	127	1096704
-	31.5	O	-	1048898	32.0	180	95.5	104	346	127	93.0	118	102	72.5	590	76.2	82.6	459	38.1	165	1090161

All carbon swivel hooks have a 5:1 Design Factor and Proof Load is 2 times the Working Load Limit. Alloy swivel hooks 1t through 22t have a 4.5:1 Design Factor and Proof Load is 2.5 times the Working Load Limit. Alloy swivel hooks of 30t capacity have a 4:1 Design Factor and Proof Load is 2 times the Working Load Limit. *Deformation indicators †Dimensions for hooks 3/4t carbon through 22t alloy are for S-4320 latch kits. Dimensions for hooks 30t alloy are for 4055 latch kit.